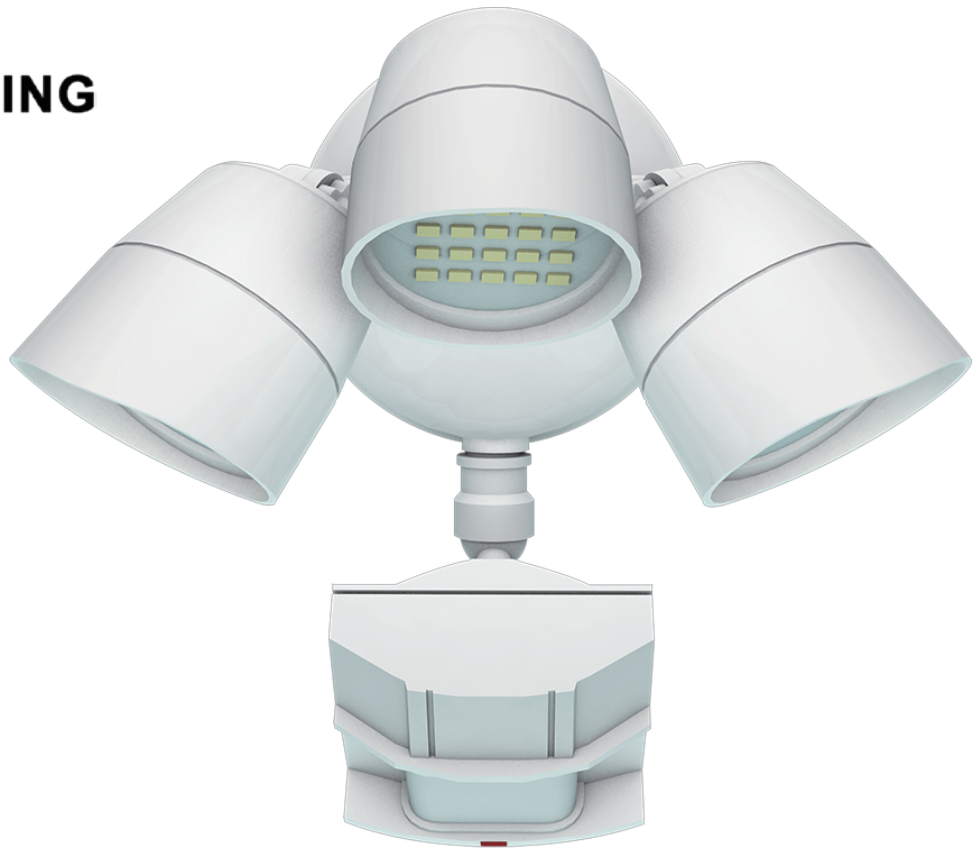




LI-TIAN LIGHTING



Brighten spaces evenly, without glare

A great performing LED light for general purpose and security areas that fits your budget.

Rugged cast-aluminum, corrosion-resistant housing with polyester powder paint for lasting durability. LED lamp heads are thermally isolated from the driver that is located in the rear housing, promoting a long service life. Lenses are sealed to keep out moisture, dirt and bugs. LEDs maintain 70% of light output at 50,000 hours of service life.

The refractive lens design spreads the light evenly, so you can brighten those outdoor spaces without glare.

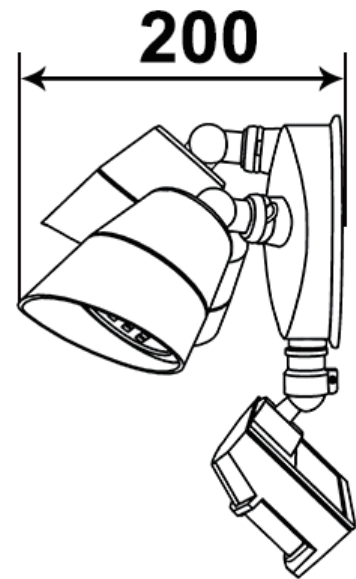
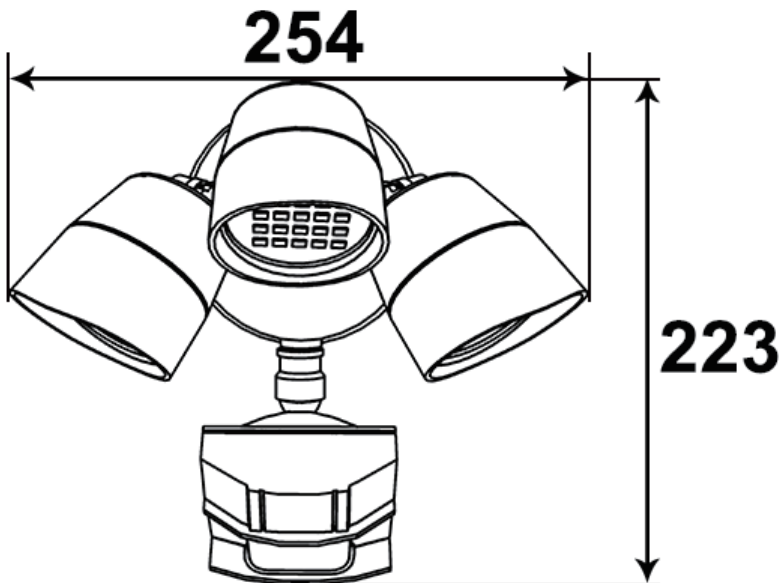
Outdoor Security LED



- ETL, cETL listed
- 3161LM 30W
- 120VAC
- 3000K,4000K, 5000K CCT standard
- High performance OSRAM LEDs
- White finish standard, black or bronze optional
- 5 years warranty

SIZE

Unit:mm



See how Litian LED luminaires can provide a complete solution for your area lighting needs. Visit www.ilitianled.com more information.