

LT-GK-006-140W



Ideal for large spaces.
Ultra-high efficacy.
Up to 60% less energy usage than equivalent metal halide fixtures.
100,000 hour lifespan, virtually maintenance free operation.
0-10V driver for variable dimming down to 10%.

Driver Info

Type: Constant Current
Voltage: AC120-277V
Input Watts: 140W
Efficiency: 96%

LED Info

Watts: 140W
Color Temp: 3000K-5700K
Color Accuracy: >70
L70 Lifespan: 100000
Lumens: 17653.9
Efficacy: 130 LPW

Technical Specifications

Listings

ETL Listing:

Suitable for wet locations.

IESNA LM-79 & IESNA LM-80 Testing:

Li-Tian LED luminaires have been tested by an independent laboratory in accordance with IESNA LM-79 and 80.

Electrical

Driver:

Constant Current, Class 1, 120-277V, 50/60Hz, 120V: 1.68A, 208V: 1.02A, 240V: 0.88A, 277V 0.74A

Dimming Driver:

Driver includes dimming control wiring for 0-10V dimming systems. Requires separate 0-10V DC dimming circuit. Dims as low as 10%.

THD:

11.7% at 277V

Power Factor:

95% at 277V

LED Characteristics

Lifespan:

100,000-hour LED lifespan based on IES LM-80 results and TM-21 calculations.

LEDs:

Long-life, high-efficiency surface mounting LEDs.

Color Stability:

LED Color temperature is warrantied to shift no more than 200K in CCT over a 5 year period.

Color Uniformity:

Li-Tian's range of CCT (Correlated Color Temperature) follows the guidelines of the American National Standard for Specifications for the Chromaticity of Solid State Lighting (SSL) Products, ANSI C78.377-2017.

Construction

Ambient Temperature:

Suitable for use 12 hours a day, 6 days a week in 55 ° C (131 ° F). Suitable for 24/7 use in ambient temperatures up to 40°C (104°F).

Housing:

Extruded aluminum

Lens:

High-transmittance PMMA

Mounting:

V hooks or 3/4" NPS for pendant mount

Finish:

Formulated for high-durability and long lasting color.

Green Technology:

Mercury and UV free. RoHS compliant components. Polyester powder coat finish formulated without the use of VOC or toxic heavy metals.

IP Rating:

Ingress Protection rating of IP54 for dust and water.

Other

5 Yr Limited Warranty:

Li-Tian warrants that our LED products will be free from defects in materials and workmanship for a period of five (5) years from the date of delivery to the end user, including coverage of light output, color stability, driver performance and fixture finish.

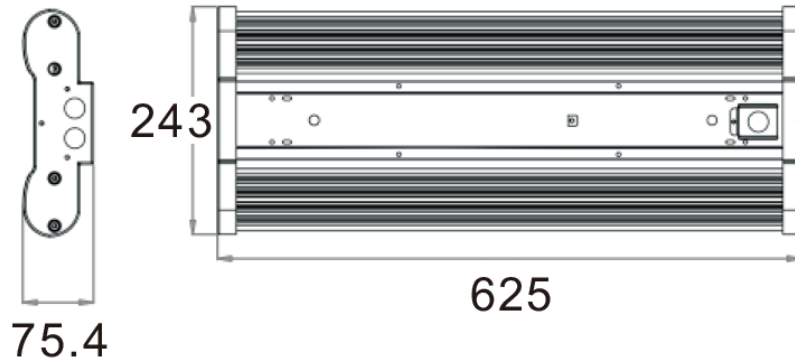
Options

Photocell
Motion sensing

LT-GK-006-140W

Dimensions

unit:mm



Learn More

Tel: +86-760-23757187

Fax: +86-760-23757185

Website: www.ilitianled.com

ADD: Block B 4/F, No.2 Yihui 2nd Road Maohui Industry, Sisha, Henglan Town, Zhongshan City, Guangdong Province, China.