

# LT-GK-006-140W-FX



UGR<16.  
Ideal for large spaces. Ultra-high efficacy.  
Up to 60% less energy usage than equivalent metal halide fixtures.  
100,000 hour lifespan, virtually maintenance free operation.  
0-10V driver for variable dimming down to 10%.

## Driver Info

Type: Constant Current  
Voltage: AC120-277V  
Input Watts: 140W  
Efficiency: 96%  
UGR: <16

## LED Info

Watts: 140W  
Color Temp: 3000K-5700K  
Color Accuracy: >70  
L70 Lifespan: 100000  
Lumens: 11704  
Efficacy: 83.6 LPW

## Technical Specifications

### Listings

#### ETL Listing:

Suitable for wet locations.

#### IESNA LM-79 & IESNA LM-80 Testing:

Li-Tian LED luminaires have been tested by an independent laboratory in accordance with IESNA LM-79 and 80.

### Electrical

#### Driver:

Constant Current, Class 1, 120-277V, 50/60Hz, 120V: 1.68A, 208V: 1.02A, 240V: 0.88A, 277V 0.74A

#### Dimming Driver:

Driver includes dimming control wiring for 0-10V dimming systems. Requires separate 0-10V DC dimming circuit. Dims as low as 10%.

#### THD:

11.7% at 277V

#### Power Factor:

95% at 277V

### LED Characteristics

#### Lifespan:

100,000-hour LED lifespan based on IES LM-80 results and TM-21 calculations.

#### LEDs:

Long-life, high-efficiency surface mounting LEDs.

#### Color Stability:

LED Color temperature is warrantied to shift no more than 200K in CCT over a 5 year period.

### Color Uniformity:

Li-Tian's range of CCT (Correlated Color Temperature) follows the guidelines of the American National Standard for Specifications for the Chromaticity of Solid State Lighting (SSL) Products, ANSI C78.377-2017.

### Construction

#### Ambient Temperature:

Suitable for use 12 hours a day, 6 days a week in 55 ° C (131 ° F). Suitable for 24/7 use in ambient temperatures up to 40°C (104°F).

#### Housing:

Extruded aluminum

#### PHOTOMETRICS:

60°

#### Lens:

Polycarbonate+Anti-glare cover

#### Mounting:

V hooks or 3/4" NPS for pendant mount

#### Finish:

Formulated for high-durability and long lasting color.

#### Green Technology:

Mercury and UV free. RoHS compliant components. Polyester powder coat finish formulated without the use of VOC or toxic heavy metals.

#### IP Rating:

Ingress Protection rating of IP54 for dust and water.

### Other

#### 5 Yr Limited Warranty:

Li-Tian warrants that our LED products will be free from defects in materials and workmanship for a period of five (5) years from the date of delivery to the end user, including coverage of light output, color stability, driver performance and fixture finish.

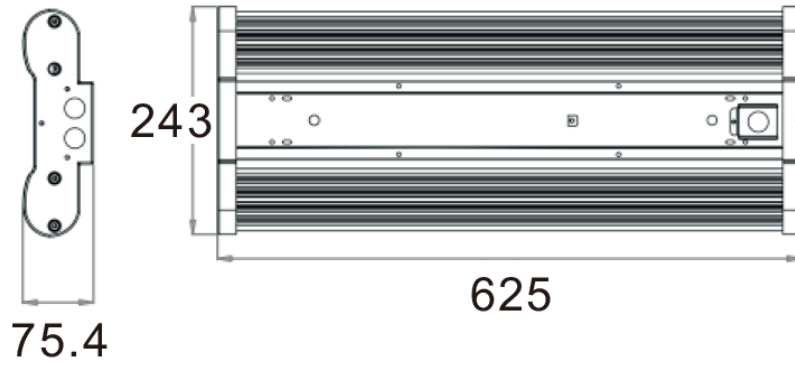
#### Options

Photocell  
Motion sensing

# LT-GK-006-140W-FX

## Dimensions

unit:mm



## Learn More

Tel: +86-760-23757187

Fax: +86-760-23757185

Website: [www.ilitianled.com](http://www.ilitianled.com)

ADD: Block B 4/F, No.2 Yihui 2nd Road Maohui Industry, Sisha, Henglan Town, Zhongshan City, Guangdong Province, China.