



**LI-TIAN LIGHTING**



# Brighten spaces evenly, without glare

**A great performing LED light for general purpose and security areas that fits your budget.**

The Litian Dusk to Dawn Barn Light is only on when you need it. And now with 40% more light than previous generation with the same wattage, this generation is more efficient. This fixture can be direct mounted to a wall or arm mounted. You can order the arm separately, but Dusk to Dawn easily retrofits onto existing arms for one of the most affordable and energy efficient options on the market.

**The refractive lens design spreads the light evenly, so you can brighten those outdoor spaces without glare.**

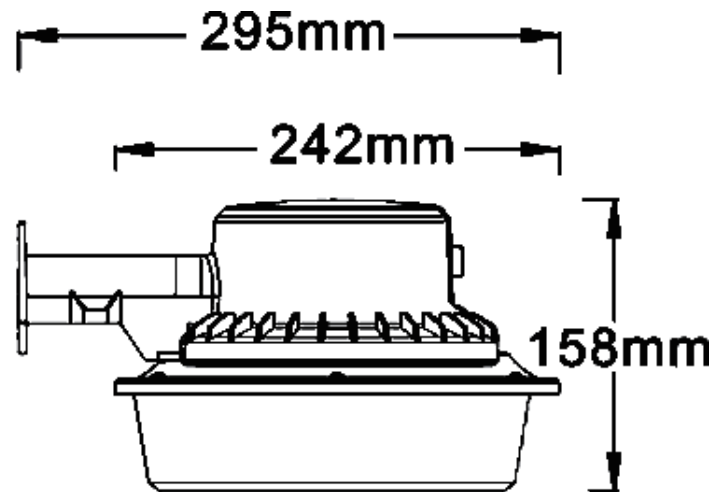
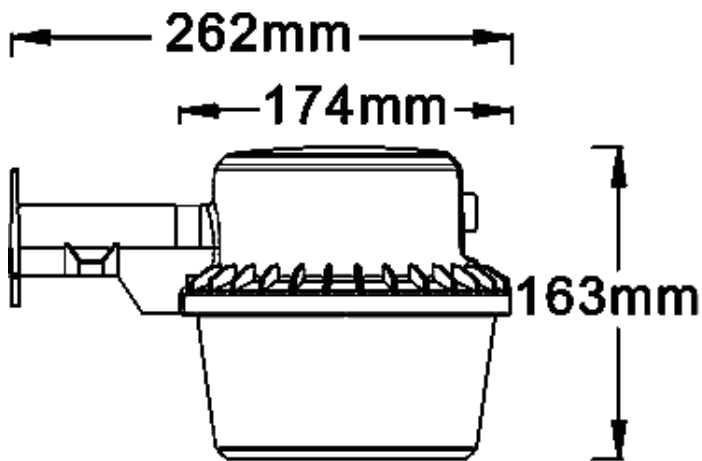
# Dusk to Dawn LED



- Excellent choice for general areas, where lighting can enhance security.
- Provides up to 70% energy over HID.\*
- Refracted lens design spreads light evenly and significantly reduces glare.
- Direct mount or arm mount -compatible to retrofit onto existing arms easily.
- Dusk to Dawn is sturdy, fade and abrasion resistant, built of a one-piece die-cast aluminum housing.
- 5 year limited warranty.

\*DTDLED rated 40 input watts is 70% less versus metal halide systems rated 129 input watts.

## SIZE



See how Litan LED luminaires can provide a complete solution for your area lighting needs. Visit [www.ilitianled.com](http://www.ilitianled.com) more information.