



## Driver Info

Type: Constant Current  
Voltage: 120V  
Input Watts: 35W  
Efficiency: 93%

## LED Info

Watts: 35W  
Color Temp: 2700-6500K  
Color Accuracy: >70  
L70 Lifespan: 100000  
Lumens: 3850  
Efficacy: 110 LPW

The Litian Dusk to Dawn Barn Light is only on when you need it. This fixture can be direct mounted to a wall or arm mounted. You can order the arm separately, but Dusk to Dawn easily retrofits onto existing arms for one of the most affordable and energy efficient options on the market.

## Technical Specifications

### Listings

#### ETL Listing:

Suitable for wet locations.

#### IESNA LM-80 Testing:

Li-Tian LED luminaires have been tested by an independent laboratory in accordance with IESNA LM-80.

### Electrical

#### Photocell:

Integrated 120V compatible photocell included

#### Driver:

Constant Current, 120V, 50/60 Hz, 700mA, 120V:0.6A, Power Factor: 99.3%

#### THD:

7.0% at 120V

#### Surge Protection:

2KV

### LED Characteristics

#### Lifespan:

100,000-hour LED lifespan based on IES LM-80 results and TM-21 calculations

#### LEDs:

Multi-chip, high-output, long-life LED(cree3030).

#### Color Stability:

LED color temperature is warranted to shift no more than 200K in CCT over a 5 year period.

#### Color Uniformity:

Li-Tian's range of CCT (Correlated Color Temperature) follows the guidelines of the American National Standard for Specifications for the Chromaticity of Solid State Lighting (SSL) Products, ANSI C78.377-2017.

### Construction

#### Recommended Mounting Height:

15 ft.

#### Effective Projected Area:

EPA = 0.3

#### Vibration Rating:

Industry-leading 5G vibration rating per ANSI C136.31

#### Cold Weather Starting:

Minimum starting temperature is -40°C (-40°F)

#### Ambient Temperature:

SuitableFor use in 40°C (104°F) ambient temperatures.

#### Housing:

Precision die-cast aluminum housing and arm.

#### Mounting:

Mounts on wall or existing arm/pole YARM24 (1 5/8" diameter pipe).

#### Lens:

High-impact, transparent polycarbonate lens.

#### Reflector:

High-reflectance white paint

#### Gaskets:

High temperature silicone gaskets.

#### Finish:

Formulated for high-durability and long lasting color.

#### Green Technology:

Mercury and UV free. RoHS compliant components. Polyester powder coat finish formulated without the use of VOC or toxic heavy metals.

#### Light induction ( Optional ):

Extra photocell sensor available

### Other

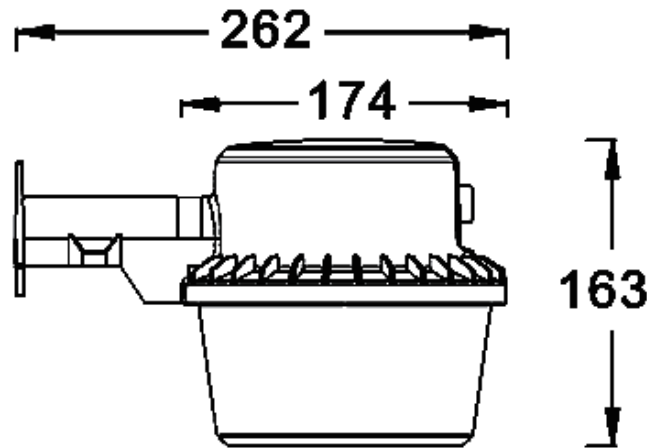
#### Options

Photocontrol

# LT-GC-35W

## Dimensions

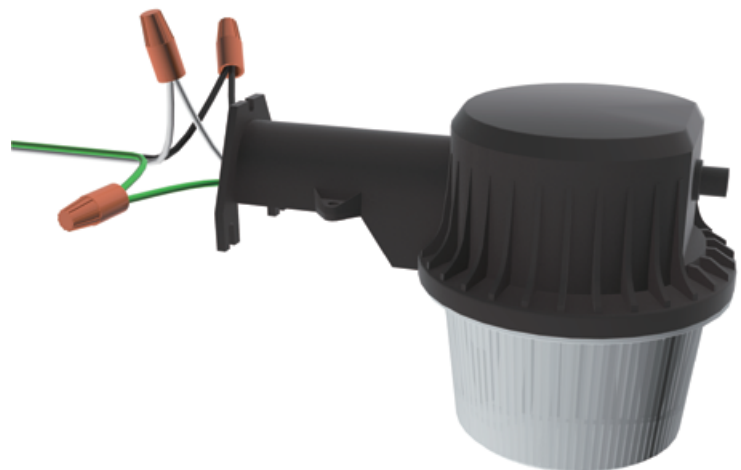
unit:mm



Weight:1.5KG

## Installation

1. CAUTION – DO NOT TOUCH THE LED.
2. Fix the lamp body on the wall or on the mounting bar and tighten set screw.
3. Connect the power cord as follows:
  - a) Connect hot supply wire to black wire on LED driver.
  - b) Connect neutral supply wire to white wire on LED driver.
  - c) Connect ground supply wire to green ground screw in mounting box.
4. Turn on power.



**NOTE :** This product must be installed in accordance with the applicable installation code by a person familiar with the construction and operation of the product.

## Learn More

Tel: +86-760-23757187  
Fax: +86-760-23757185  
E-mail: [annamiss1981@china-litianled.com](mailto:annamiss1981@china-litianled.com)  
Website: [www.ilitianled.com](http://www.ilitianled.com)  
ADD: Block B 4/F, No.2 Yihui 2nd Road Maohui Industry, Sisha, Henglan Town, Zhongshan City, Guangdong Province, China.