



**LI-TIAN LIGHTING**



# **Brighten spaces evenly, without glare**

**A great performing LED light for general purpose and security areas  
that fits your budget.**

Rugged cast-aluminum, corrosion-resistant housing with polyester powder paint for lasting durability. LED lamp heads features corrosion resistant thermo plastic housing are thermally isolated from the driver that is located in the rear housing, promoting a long service life. Lenses are sealed to keep out moisture, dirt and bugs. LEDs maintain 70% of light output at 50,000 hours of service life.

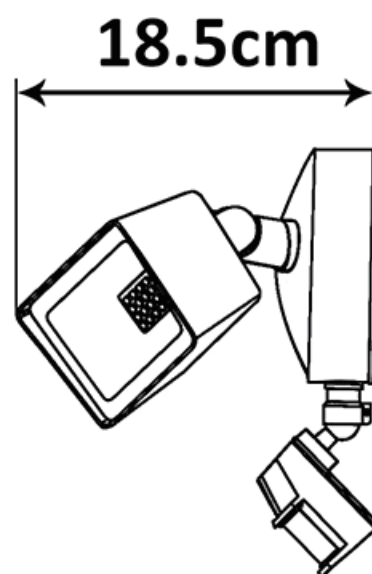
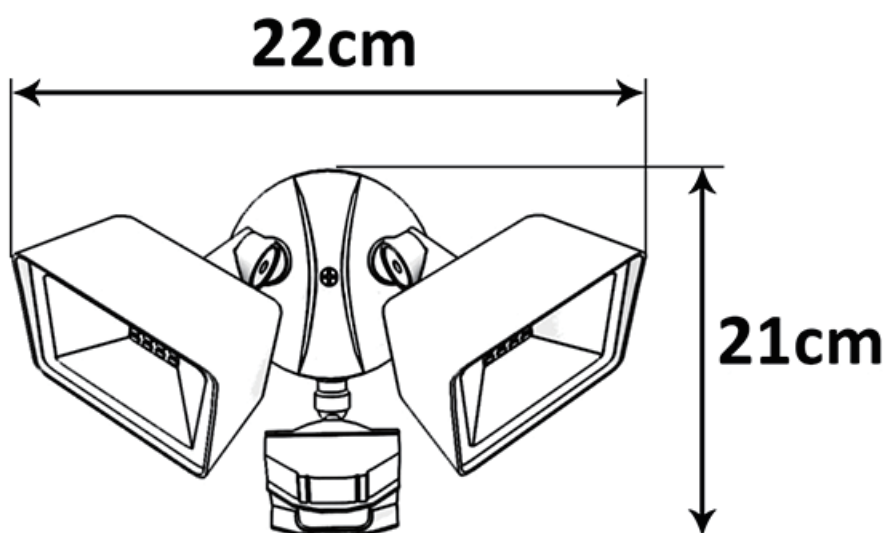
**The refractive lens design spreads the light evenly, so you can brighten those  
outdoor spaces without glare.**

# Outdoor Security LED



- ETL, cETL listed
- 2205LM 20W
- 120VAC
- 3000K,4000K, 5000K CCT standard
- High performance OSRAM LEDs
- White finish standard, black or bronze optional
- 5 years warranty

## SIZE



See how Litian LED luminaires can provide a complete solution for your area lighting needs. Visit [www.ilitianled.com](http://www.ilitianled.com) more information.