



Rose Series Projector



ROSE LARGE



ROSE MEDIUM



NEW

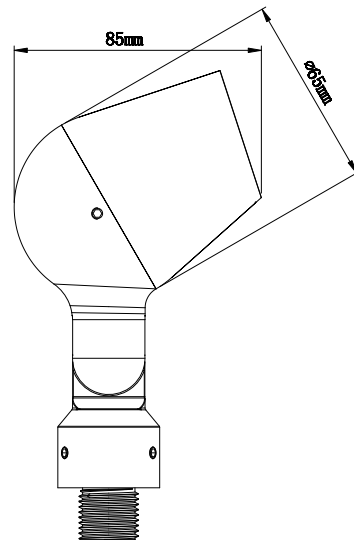
ROSE MINI



LI-TIAN LIGHTING



ROSE 1.0



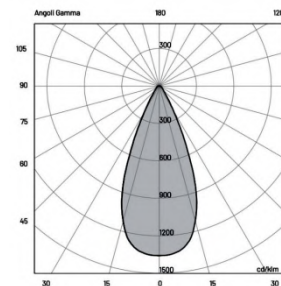
Technical Parameter

Total wattage	LT-SL-3/6W
Voltage	220-240/120-277Vac / 12-24Vdc
LED	Bridgelux COB
Luminous flux	255/510lm
Luminous efficacy	85lm/w@3000K
CCT	3000/4000/5000K
McADAM steps	3
Beam	15/24/36/60°
CRI	80/90
Life time	L 70>50.000h Ta 25°C L 70>50.000h Ta 40°C
IP rating	66 Luminaire dust-tight and sealed against temporary immersion
Ik rating Insulation class	08 Luminaire protected against an impact energy of 5 Joules I Luminaire with basic insulation. Protection: connection of the accessible metal parts to the earthing protection.

Materials

Body	Die-cast aluminium EN47100
Diffuser	Tempered glass/PC reflector
Finishing	Polyester powder paint
RAL	Black9005

Photometry



E (lux)

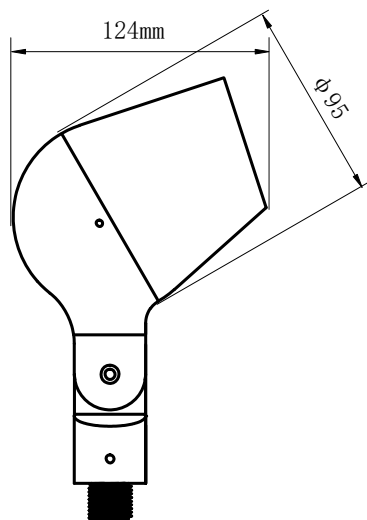
H (m)	lux (3000 K)	Ø (m)
1.00	923	0.82
2.00	231	1.64
3.00	103	2.46
4.00	58	3.28
5.00	37	4.10



LI-TIAN LIGHTING



ROSE 2.0



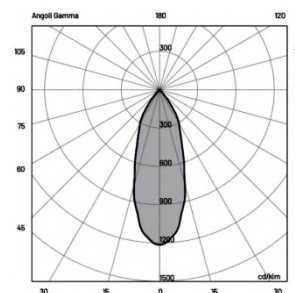
Technical Parameter

Total wattage	LT-SL-10/15/20W
Voltage	220-240/120-277Vac / 12-24Vdc
LED	Bridgelux COB
Luminous flux	1030/1545/2060lm
Luminous efficacy	103lm/w@3000K
CCT	3000/4000/5000K
McADAM steps	3
Beam	15/24/36/60/40x70°
CRI	80/90
Life time	L 70>50.000h Ta 25°C L 70>50.000h Ta 40°C
IP rating	66 Luminaire dust-tight and sealed against temporary immersion
Ik rating Insulation class	08 Luminaire protected against an impact energy of 5 Joules I Luminaire with basic insulation. Protection: connection of the accessible metal parts to the earthing protection.

Materials

Body	Die-cast aluminium EN47100
Diffuser	Tempered glass/PC reflector
Finishing	Polyester powder paint
RAL	Black9005

Photometry

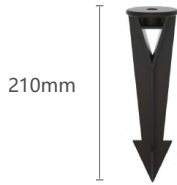


E (lux)

H(m)	lux(3000 K)	lux(4000 K)	Ø (m)
1.00	2184	2261	0.7
2.00	546	565	1.4
3.00	243	251	2
4.00	137	141	2.7
5.00	87	90	3.4



NEW

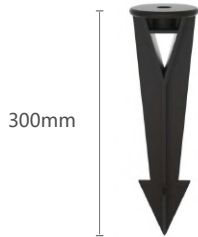
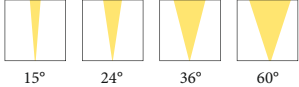


210mm

GS Ground Stake1.0
Material: PC



ROSE 1.1
Ø65mm 3/6W
255/510lm

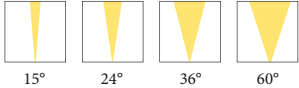


300mm

GS Ground Stake1.1
Material: PC



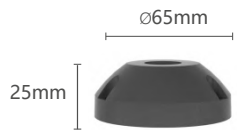
ROSE 2.1
Ø95mm 10/15/20W
1030/1545/2060lm





LI-TIAN LIGHTING

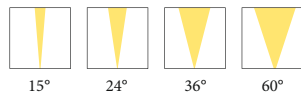
NEW



SSB Surface Base Mount
Material: Die-cast aluminum



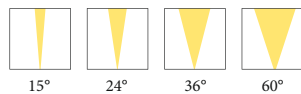
ROSE 1.2
Ø65mm 3/6W
255/510lm



SB Surface Base Mount
Material: Die-cast aluminum

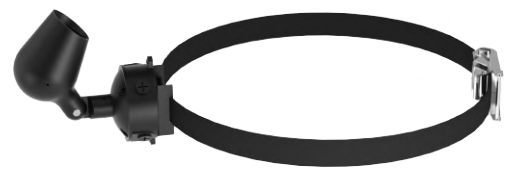


ROSE 2.2
Ø95mm 10/15/20W
1030/1545/2060lm

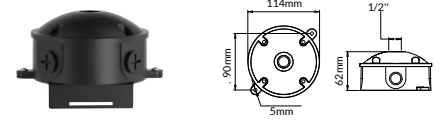
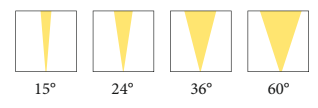




ROSE 1.3
 Ø65mm 3/6W
 255/510lm



ROSE 2.3
 Ø95mm 10/15/20W
 1030/1545/2060lm

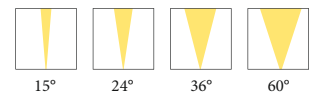


TM Tree Mount 1.0
 Material: Polyester + aluminum length:2m

ROSE 1.4
 Ø65mm 3/6w
 255/510lm



ROSE 2.4
 Ø95mm 10/15/20w
 1030/1545/2060lm



TRM Tree ring Mount 2.0
 Material: 304 stainless steel



LI-TIAN LIGHTING

ROSE RGBW

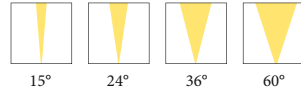
Ø95mm 9w

Ø145mm 24/36W

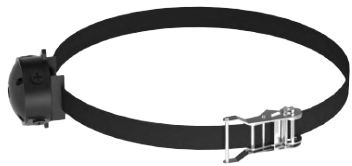
Way to control:

Bluetooth/DMX512/2.4G

Voltage: DC24V



Surface Mount



Tree Mount

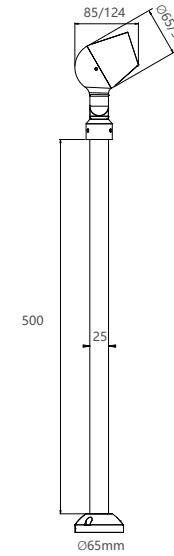


(Coupler) Pole Mount



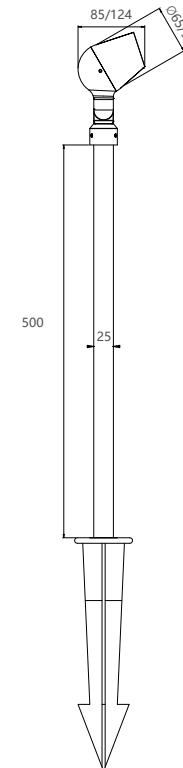
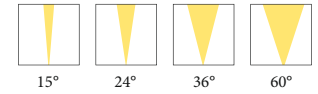


LI-TIAN LIGHTING



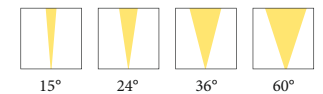
ROSE 1.5
Ø65mm 3/6W
255/510lm

ROSE 2.5
Ø95mm 10/15/20W
1030/1545/2060lm



ROSE 1.6
Ø65mm 3/6W
255/510lm

ROSE 2.6
Ø95mm 10/15/20W
1030/1545/2060lm



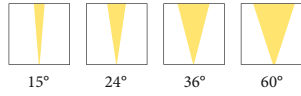


LI-TIAN LIGHTING



ROSE 1.7
 $\varnothing 65\text{mm}$ 3/6W
255/510lm

ROSE 2.7
 $\varnothing 95\text{mm}$ 10/15/20W
1030/1545/2060lm



$\varnothing 60\text{ mm}$ CYLINDRICAL POLE
Pole total height 3500mm



Coupler
Material: Aluminum alloy Suitable
for $\varnothing 60\text{-}200\text{mm}$ pole

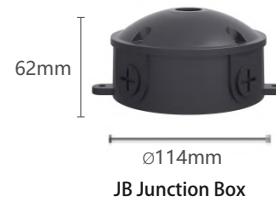
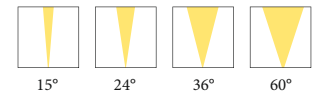
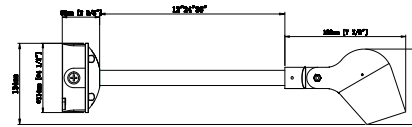




Sign Light

ROSE 1.8
 Ø65mm 3/6W
 255/510lm

ROSE 2.8
 Ø95mm 10/15/20W
 1030/1545/2060lm



Material: Die-cast aluminum
 IP65
 Fiver conduit entries



Material: Aluminum profile
 Specification: Thickness 4mm, φ25mm
 *Length can be customized



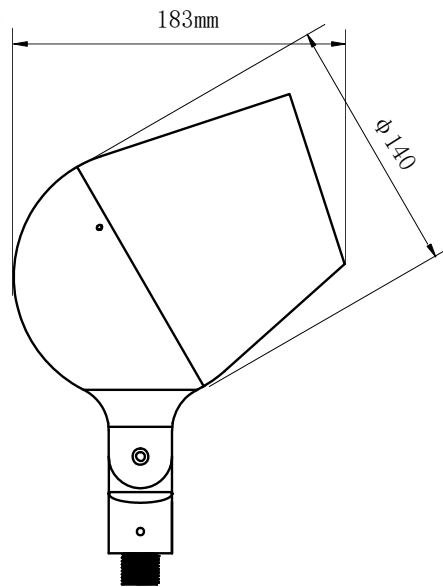
Material: Die-cast aluminum
 IP65
 Fiver conduit entries



LI-TIAN LIGHTING



ROSE 3.0



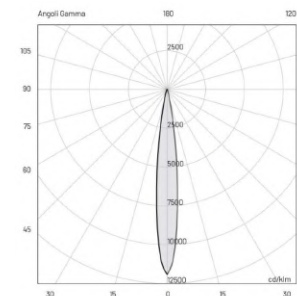
Technical Parameter

Total wattage	LT-SL-30/40/60W
Voltage	220-240/120-277Vac \bar{f}
LED	Bridgelux COB
Luminous flux	3150/4200/6300lm
Luminous efficacy	105lm/w@3000K
CCT	3000/4000/5000K
McADAM steps	3
Beam	15/24/36/60/40 \times 70 $^{\circ}$
CRI	80/90
Life time	L 70>50.000h Ta 25 $^{\circ}$ C L 70>50.000h Ta 40 $^{\circ}$ C
IP rating	66 Luminaire dust-tight and sealed against temporary immersion
Ik rating	08 Luminaire protected against an impact energy of 5 Joules
Insulation class	I Luminaire with basic insulation. Protection: connection of the accessible metal parts to the earthing protection.
Options	DALI control / RGBW 512DMX

Materials

Body	Die-cast aluminium EN47100
Diffuser	Tempered glass/PC reflector
Finishing	Polyester powder paint
RAL	Black9005

Photometry



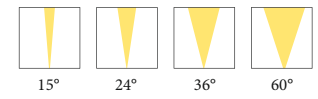
E (lux)

H(m)	lux (3000 K)	Ø (m)
1.00	32120	0.23
2.00	8030	0.45
3.00	3565	0.68
4.00	2008	0.90
5.00	1285	1.13

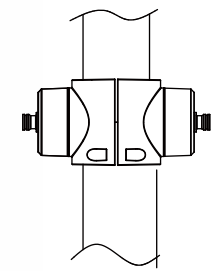


LI-TIAN LIGHTING

ROSE 3.1
Ø145mm 30/40/60W
3150/4200/6300lm



102mm



Flange (Unilateral)

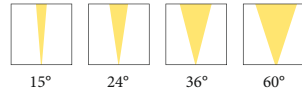


Flange (Bilateral)

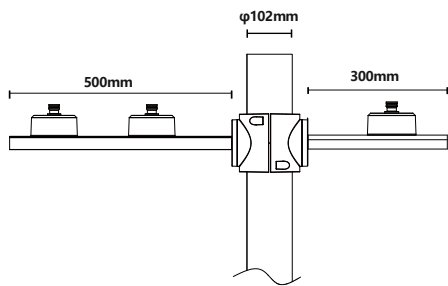
Material: die-cast aluminum



ROSE 3.2
Ø145mm 30/40/60W
3150/4200/6300lm



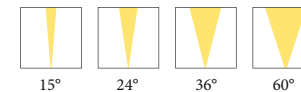
Arm for pole mounting
Material: die-cast aluminum



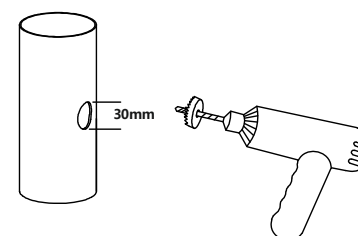


LI-TIAN LIGHTING

ROSE 3.3
Ø145mm 30/40/60W
3150/4200/6300lm

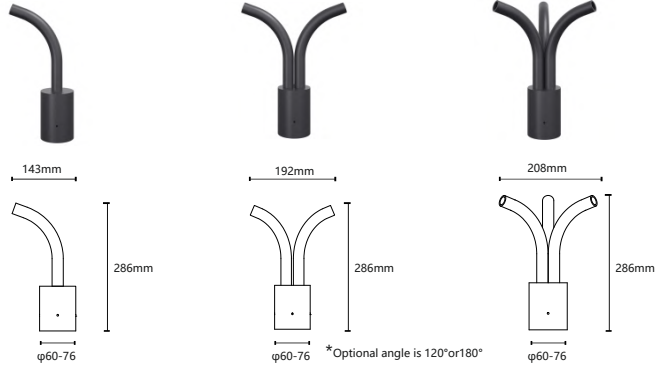
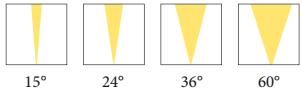


Coupler
Material: Aluminum alloy
Suitable for $\varnothing 60-200\text{mm}$ pole



les petits boats

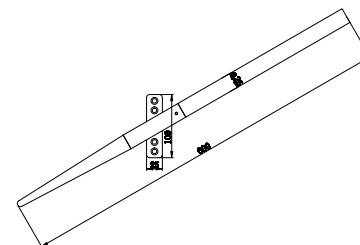
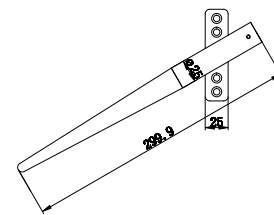
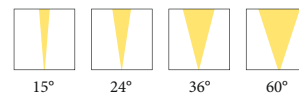
ROSE 3.4
 Ø145mm 30/40/60W
 3150/4200/6300lm



Candlestick
 Material: steel
 Suitable for φ60-76mm pole



ROSE 3.5
 Ø145mm 30/40/60W
 3150/4200/6300lm

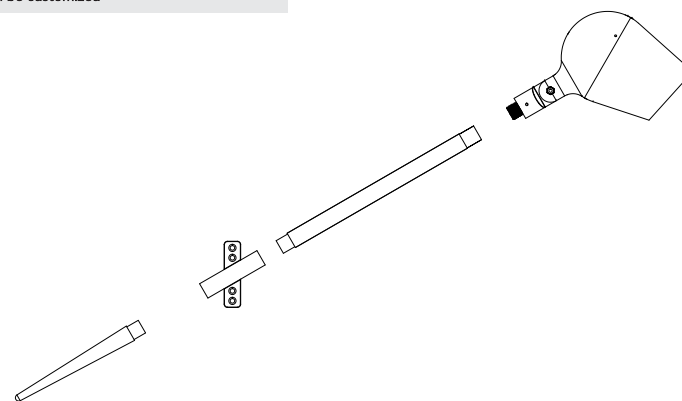


Material: 304 stainless steel+aluminum profile

Surface treatment: Polyester powder spraying

Install: Suitable for circular poles with a diameter of 60-200mm

Note: Length can be customized



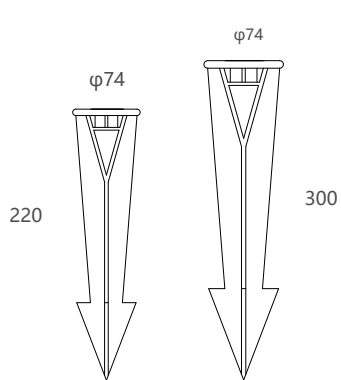


LI-TIAN LIGHTING



DESIGNED TO COMPLEMENT

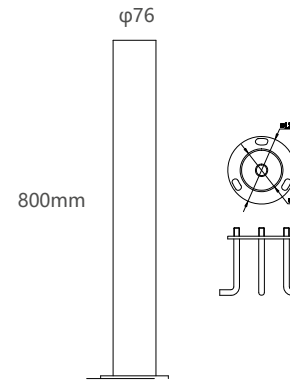
ROSE offers an assortment of fixture accessories to enhance your design. From various spikes and riser heights to mounting kits, lens options and more. There's an accessory to make your vision a reality.



GS Ground Stake 1.0
Material: PC



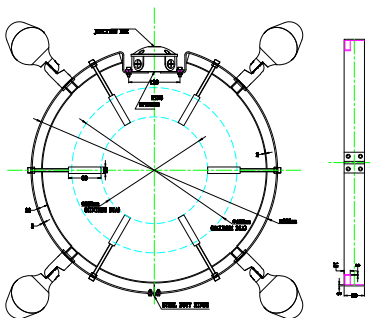
GS Ground Stake 2.0
Material: PVC
*Can be customized in different lengths



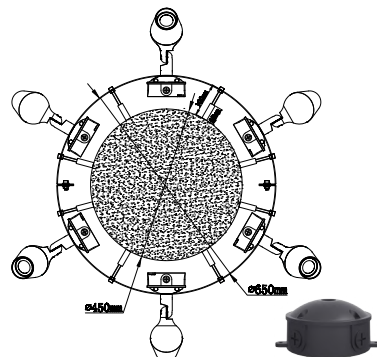
Ground Stake 3.0
Material: steel
*Can be customized in different lengths



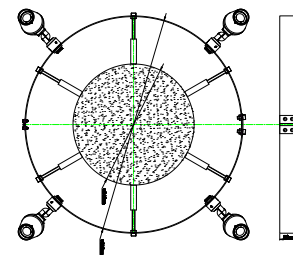
TM Tree Mount 1.0
Material: Polyester + aluminum
length: 2m



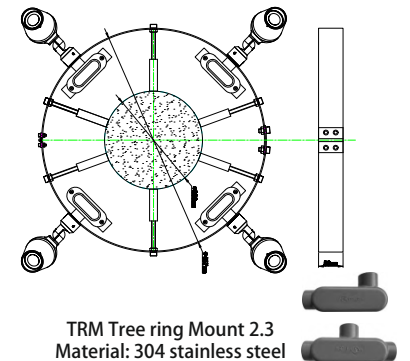
TRM Tree ring Mount 2.0
Material: 304 stainless steel



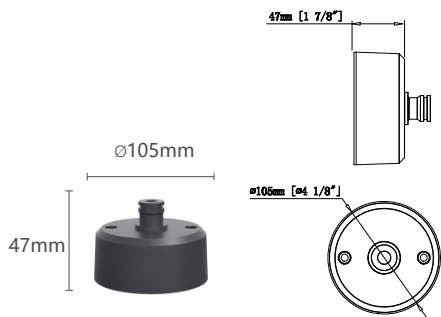
TRM Tree ring Mount 2.1
Material: 304 stainless steel



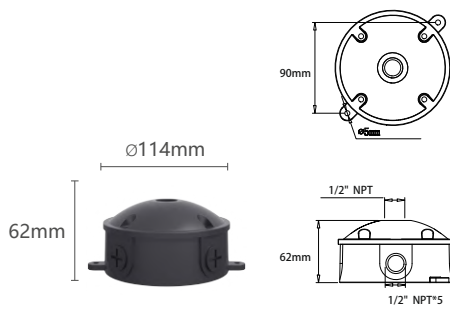
TRM Tree ring Mount 2.2
Material: 304 stainless steel



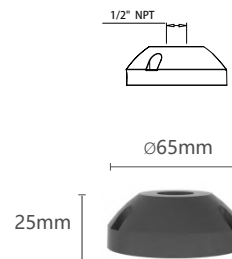
TRM Tree ring Mount 2.3
Material: 304 stainless steel



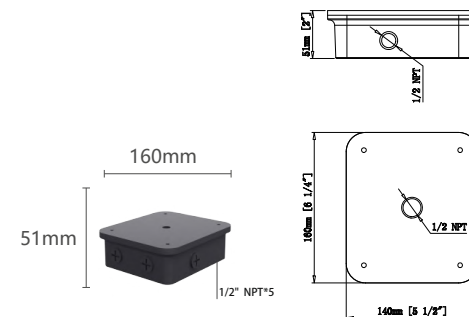
SB Surface Base
Material: Die-cast aluminum



JB Junction Box
Material: Die-cast aluminum



SSB SurfaceBase
Material: Die-cast aluminum

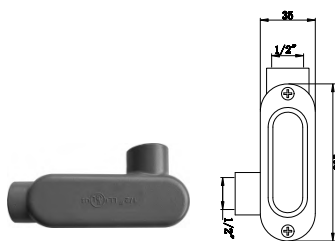


WM Wall Box
Material: Die-cast aluminum

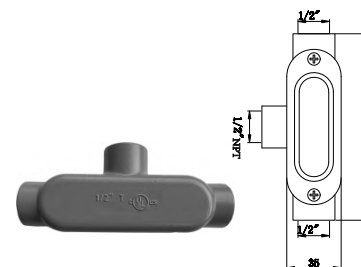


Extension arm

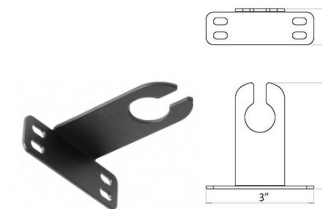
Material: Aluminum profile
Specification: Thickness 4mm, φ25mm
*Length can be customized



Tree Box-2
Material: Die-cast aluminum



Tree Box-3
Material: Die-cast aluminum



Gutter Mount Bracket
Material: 304 stainless steel

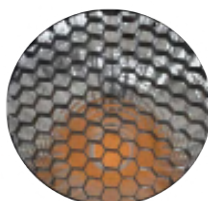
Lens Options



Grid spread lens



Linear spread lens



honeycomb grid, black

RGBW controller (2.4G)



remote control



