

# Shadow

The luminaire is designed on the principle of a reflective three-screen system, which directs the light downwards. The screens have a matte, white, lacquered inside, which diffuses the light so that it becomes comfortable to look at.



## Technical Information

Upper filter screen: Spinning aluminum. Center/lower mudguard: aluminum profile. Screen support: molded fiberglass. Mast: Aluminum profile.

Black, powder coated.

Light source type: SMD LED

Working voltage: AC220-240V (DC12-24V/AC120-277V)

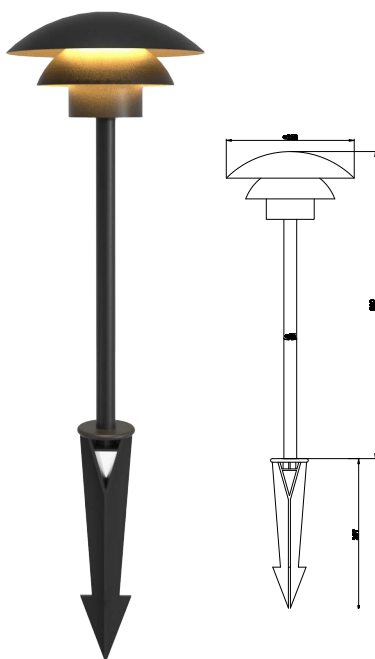
Installation method: pile, wall, pendant

Dimming: not supported

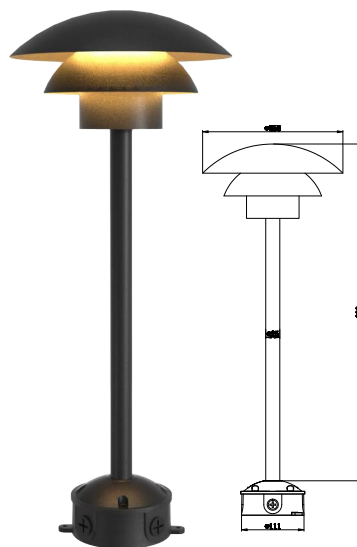
Protection level: IP65

### LED Path Light LT-YZ-300

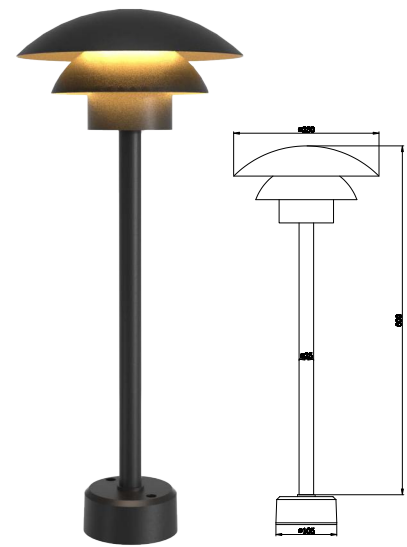
Luminous flux of the luminaire	461.8lm
Connected load	10W
Luminaire efficacy	46.4
Colour deviation	3.0 SDCM
Colour rendition index	CRI 82
Lumen maintenance (LED manufacturer specifications)	L90/B10 ≤50000h L90 ≤100000h
LED failure rate	0.1% ≤50000h
CCT	2700K/3000K/4000K
Voltage	AC220-240V/DC12-24V/AC120-277V
LM F	E
Energy efficiency class	EEI A++
Working Temperature	-40°C - 40°C
N W	2KG



GS Ground Stake1.0



JB Junction Box(USA)



SB Surface Base Mount



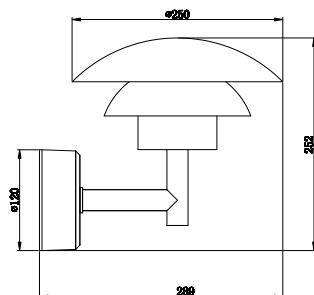
LED Wall Light

LT-YZ-301

Luminous flux of the luminaire	461.8lm
Connected load	10W
Luminaire efficacy	46.4
Colour deviation	3.0 SDCM
Colour rendition index	CRI 82
Lumen maintenance (LED manufacturer specifications)	L90/B10 ≤50000h L90 ≤100000h
LED failure rate	0.1% ≤50000h
CCT	2700K/3000K/4000K
Voltage	AC220-240V/DC12-24V/AC120-277V
LM F	E
Energy efficiency class	EEL A++
Working Temperature	-40°C - 40°C
N W	2KG

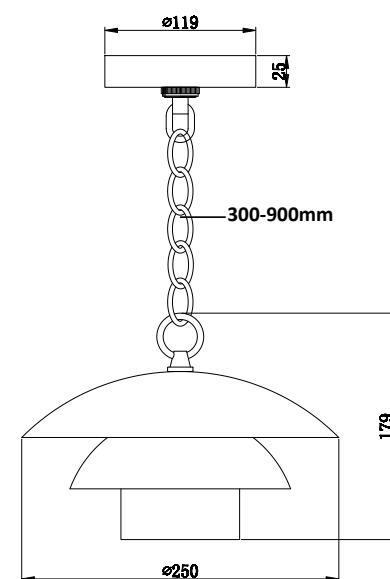


301





302



LED Outdoor Hanging Lights  
LT-YZ-302

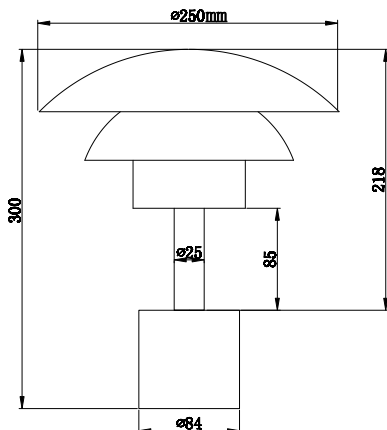
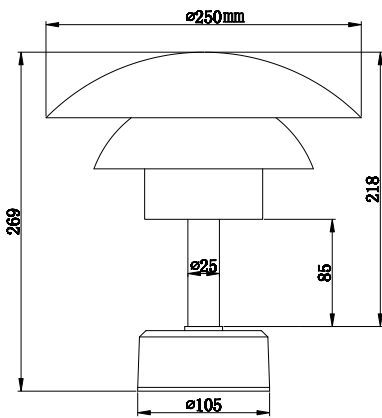
Luminous flux of the luminaire	461.8lm
Connected load	10W
Luminaire efficacy	46.4
Colour deviation	3.0 SDCM
Colour rendition index	CRI 82
Lumen maintenance (LED manufacturer specifications)	L90/B10 ≤50000h L90 ≤100000h
LED failure rate	0.1% ≤50000h
CCT	2700K/3000K/4000K
Voltage	AC220-240V/DC12-24V/AC120-277V
LM F	E
Energy efficiency class	EEL A++
Working Temperature	-40°C - 40°C
N W	2KG



303



304

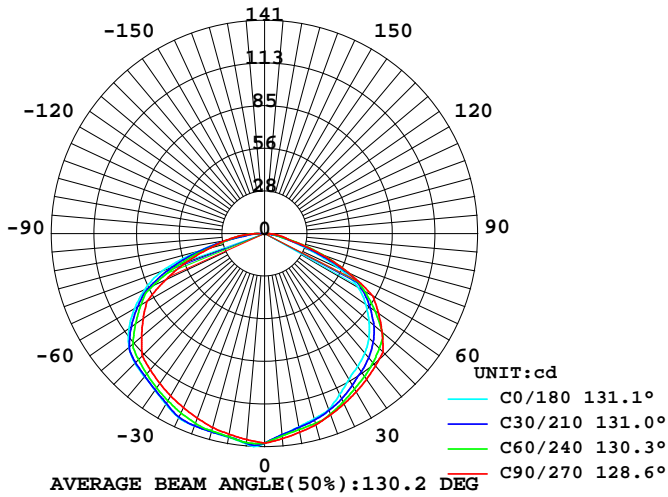


LED Outdoor Pole Lights  
LT-YZ-303/304

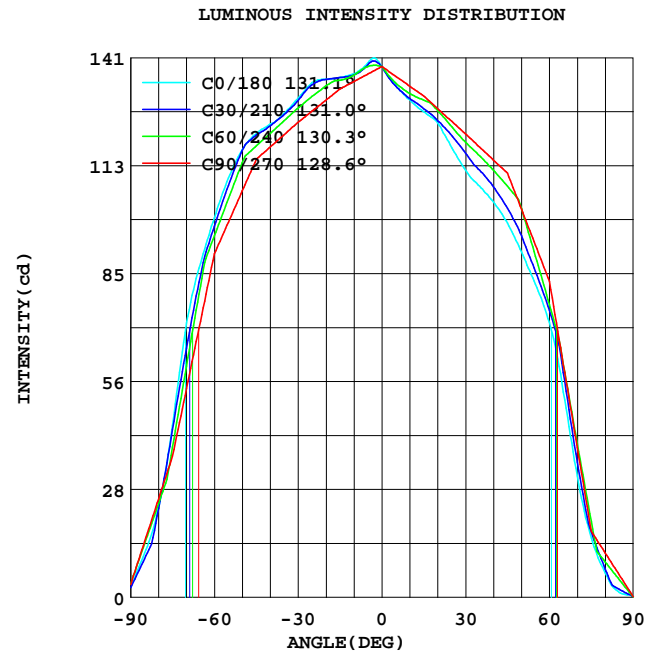
Luminous flux of the luminaire	922lm
Connected load	20W
Luminaire efficacy	46.4
Colour deviation	3.0 SDCM
Colour rendition index	CRI 82
Lumen maintenance (LED manufacturer specifications)	L90/B10 ≤50000h L90 ≤100000h
LED failure rate	0.1% ≤50000h
CCT	2700K/3000K/4000K
Voltage	AC220-240V/DC12-24V/AC120-277V
LM F	E
Energy efficiency class	EEl A++
Working Temperature	-40°C - 40°C
N W	2KG

# Light distribution map

INTENSITY DISTRIBUTION DIAGRAM  
IN C PLANS



INTENSITY DISTRIBUTION DIAGRAM  
IN C PLANS



AVERAGE AND CENTER E Figure

