

LED area, site and roadway luminaire

L TOK Series Installation Instructions



LI-TIAN LIGHTING



IMPORTANT

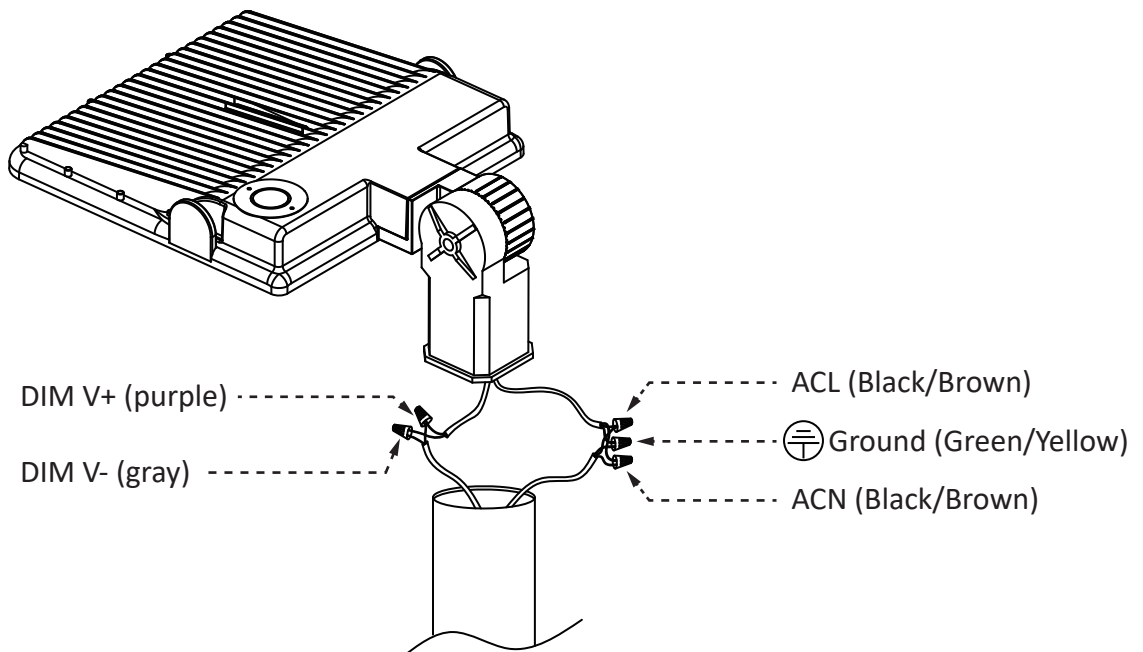
**IMPORTANT: READ INSTRUCTIONS CAREFULLY BEFORE INSTALLING.
KEEP THESE INSTRUCTIONS FOR FUTURE REFERENCE.**

- CAUTION: DO NOT USE ELECTRIC GENERATOR TO TEST THE LED FIXTURE.
- CAUTION: TO AVOID ELECTRICAL SHOCK AND DAMAGE, PLEASE DO NOT INSTALL WHEN RAINING.
- WARNING: TO PREVENT ELECTRIC SHOCK OR RISK OF FIRE, THE INSTALLATION MUST BE COMPLETED BY OPERATOR WITH PROFESSIONAL ELECTRICAL KNOWLEDGE.
- WARNING: PLEASE WEAR GLOVES TO AVOID INJURY DURING INSTALLATION.
- WARNING: DURING OR AFTER INSTALLATION, IF THERE ARE SITUATIONS SUCH AS SMOKE OR FIRE IN THE WIRES OR FIXTURES, PLEASE TURN OFF POWER IMMEDIATELY AND CONTACT A QUALIFIED ELECTRICIAN.
- SUITABLE FOR OUTDOOR USE.
- MIN 75°C (167°F) SUPPLY CONDUCTOR.
- THIS PRODUCT MUST BE INSTALLED IN ACCORDANCE WITH THE APPLICABLE INSTALLATION CODE BY A PERSON FAMILIAR WITH THE CONSTRUCTION AND OPERATION OF THE PRODUCT AND THE HAZARDS INVOLVED.

WIRING DIRECTIONS

3 DIFFERENT DIMMING FUNCTIONS ARE AVAILABLE IN THIS LIGHT FIXTURE:

1. Constant current can be achieved by 1-10V DC dimming.
2. PWM signal dimming.
3. Variation of resistance unit dimming.



Note: Do not connect DIM V+ (purple)/ DIM V- (gray) to line voltage or supply ground.

LED area, site and roadway luminaire

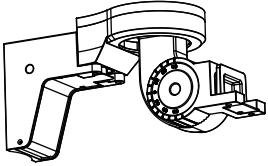
LTOK Series Installation Instructions



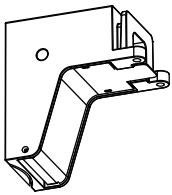
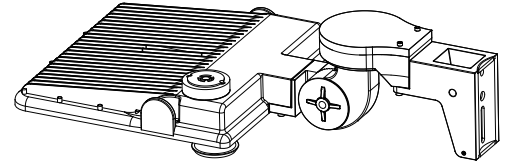
LI-TIAN LIGHTING

MOUNTING BRACKET OPTIONS

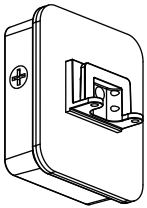
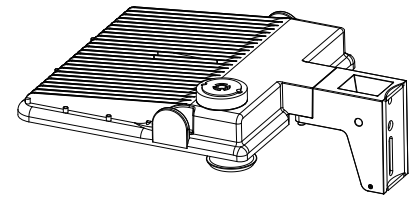
ALWAYS TURN OFF THE POWER SUPPLY FROM MAIN CIRCUIT BREAKER



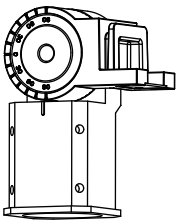
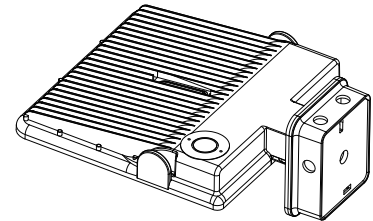
Field-rotatable Optics



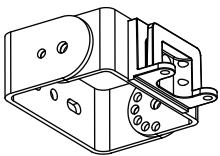
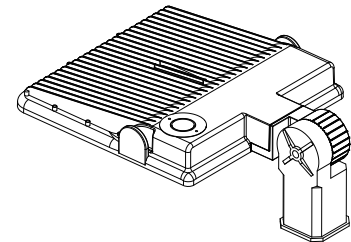
Arm mounting



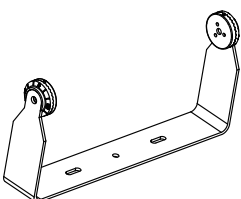
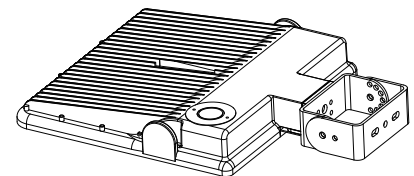
Wall mounting



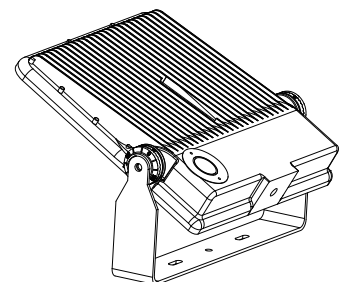
Slip Fitter mounting



Trunnion mounting



U Bracket mounting



LED area, site and roadway luminaire

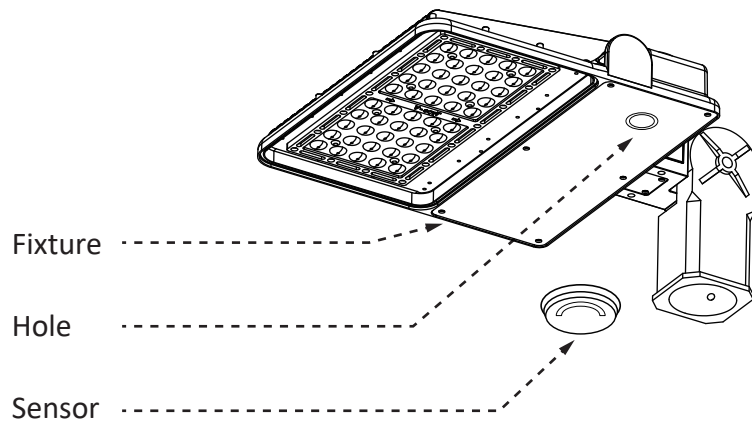
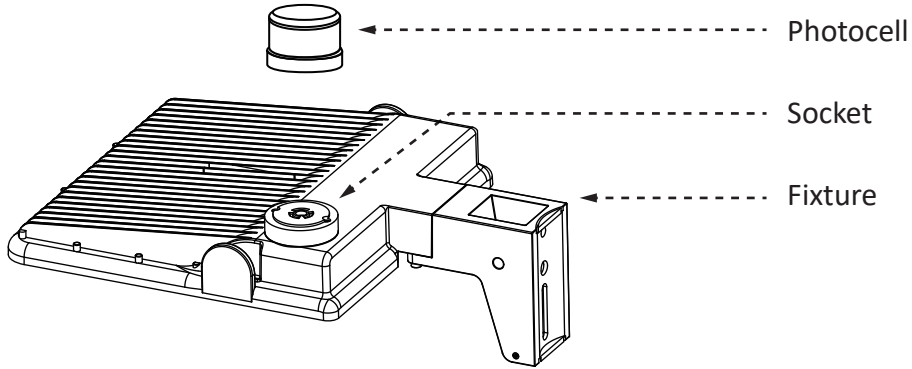
L TOK Series Installation Instructions



LI-TIAN LIGHTING

(OPTIONAL) PHOTOCELL / SENSOR INSTALLATION

When the photocell function is required, please install on the back of the fixture. If no photocell is to be used, please install a shorting cap to back of fixture.



LED area, site and roadway luminaire

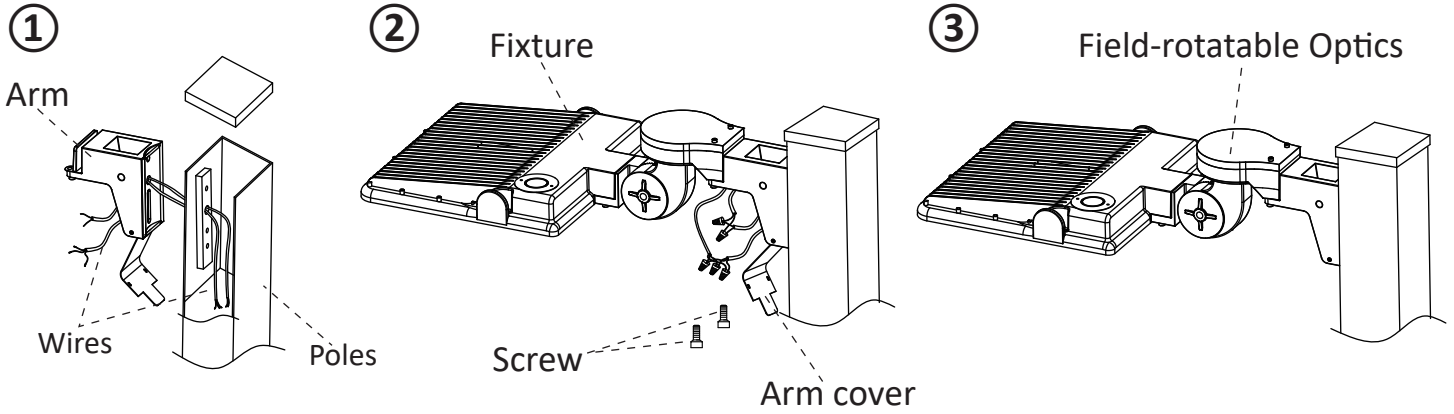
LTOK Series Installation Instructions



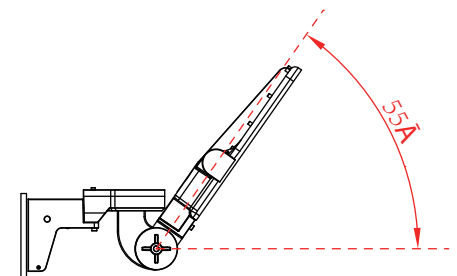
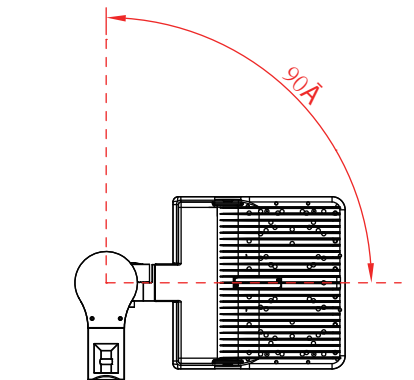
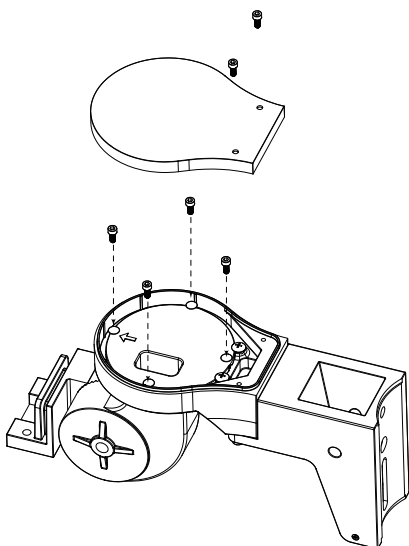
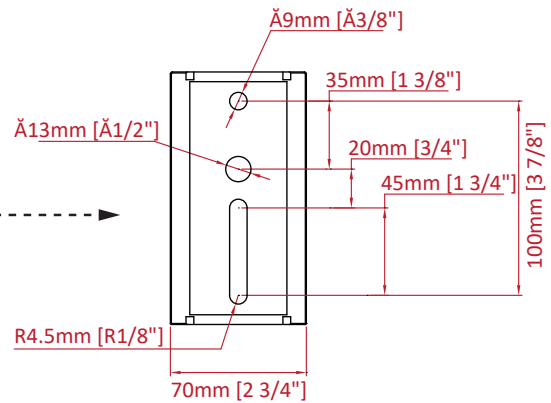
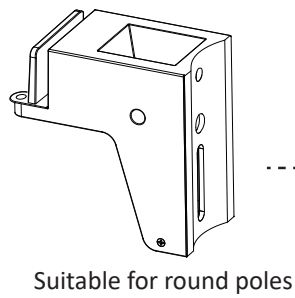
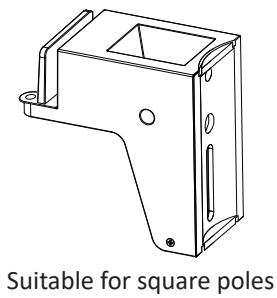
LI-TIAN LIGHTING

INSTALLATION

Field-rotatable Optics



1. Mount the arm to the round or square pole.
2. Sliding fixture on to mounting arm.
3. Make wire connections inside the mounting arm. Refer to wire diagram for power connections.
4. Install arm cover and tighten screws.



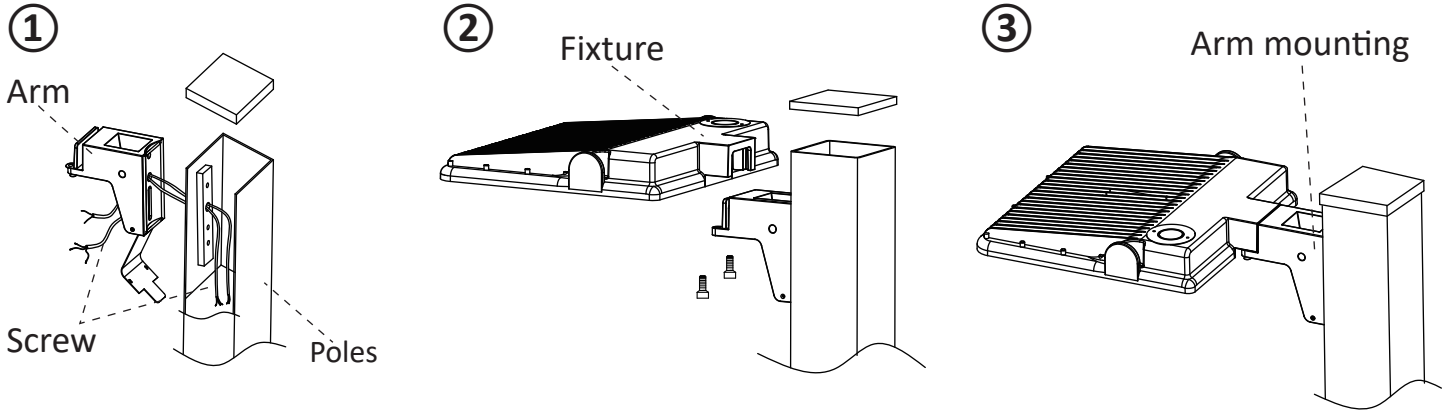
LED area, site and roadway luminaire

LTOK Series Installation Instructions



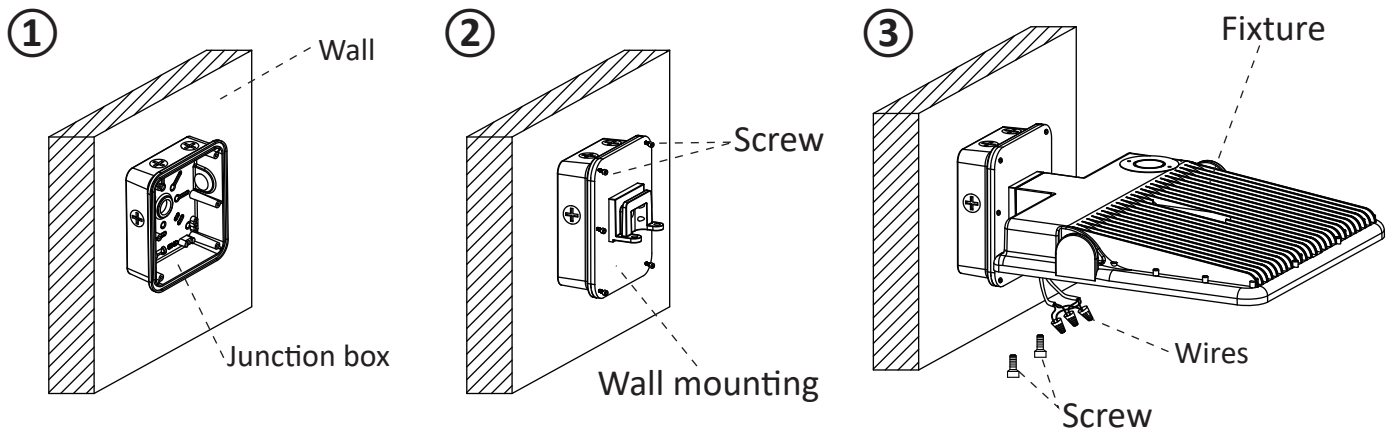
LI-TIAN LIGHTING

Arm mounting



1. Mount the arm to the round or square pole.
2. Sliding fixture on to mounting arm.
3. Make wire connections inside the mounting arm. Refer to wire diagram for power connections.
4. Install arm cover and tighten screws.

Wall mounting



1. Pull the supply wires out of junction box and through the large hole in the center of the wall plate. Secure attachment plate to the wall using bolts.
2. Sliding fixture on to junction box.
3. Make wire connections. Refer to wire diagram for power connections.
4. Install arm cover and tighten screws.

LED area, site and roadway luminaire

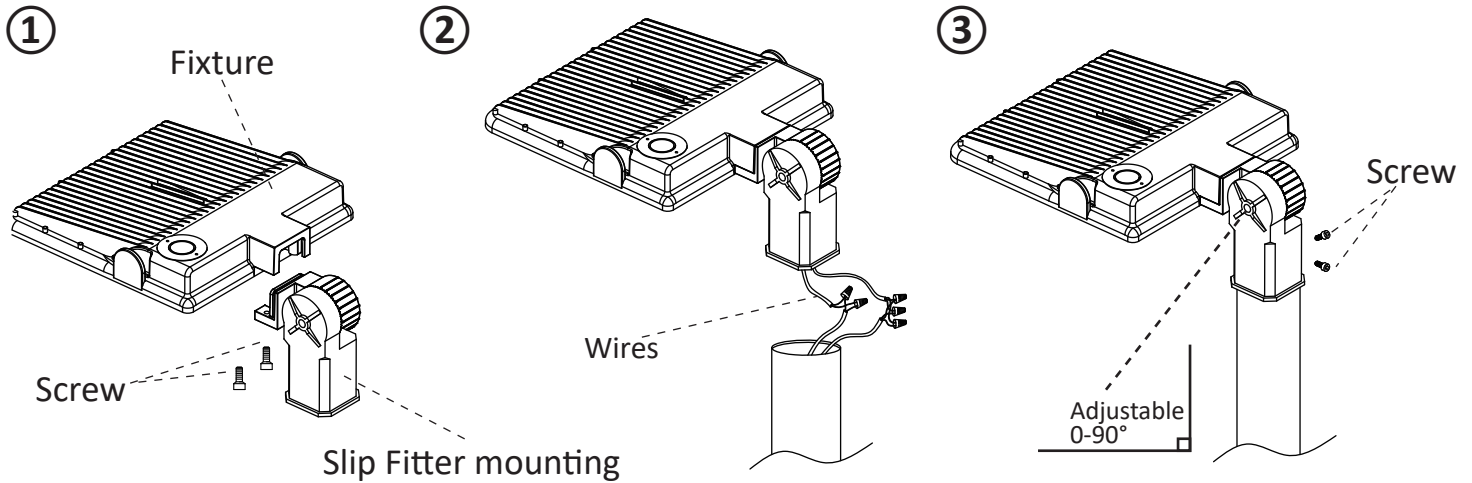
L TOK Series Installation Instructions



LI-TIAN LIGHTING

Slip Fitter mounting

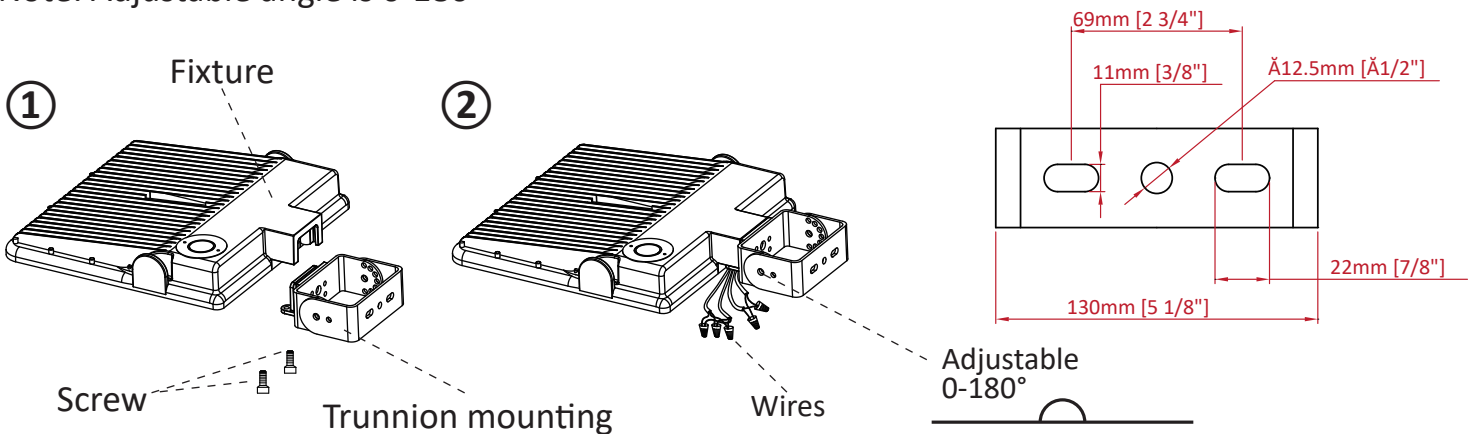
Note: Adjustable angle is 0-90°



1. Install the bracket on the fixture and tighten the bolt to spec.
2. Loosen the bolts on the bracket, connect the wires correctly, and pull the wires into the pole.
3. Place the bracket over the pole and tighten the bolts to spec.

Trunnion mounting

Note: Adjustable angle is 0-180°



1. Use expansion bolts (not included) to secure the fixture on mounting surface.
2. Keep enough length on the wires to ensure fixture can be adjusted to desired angle unhindered.
3. Make wire connections. Refer to wire diagram for power connections..
4. Adjust the fixture to desired angle and tighten the screws on the side of fixture to secure.

LED area, site and roadway luminaire

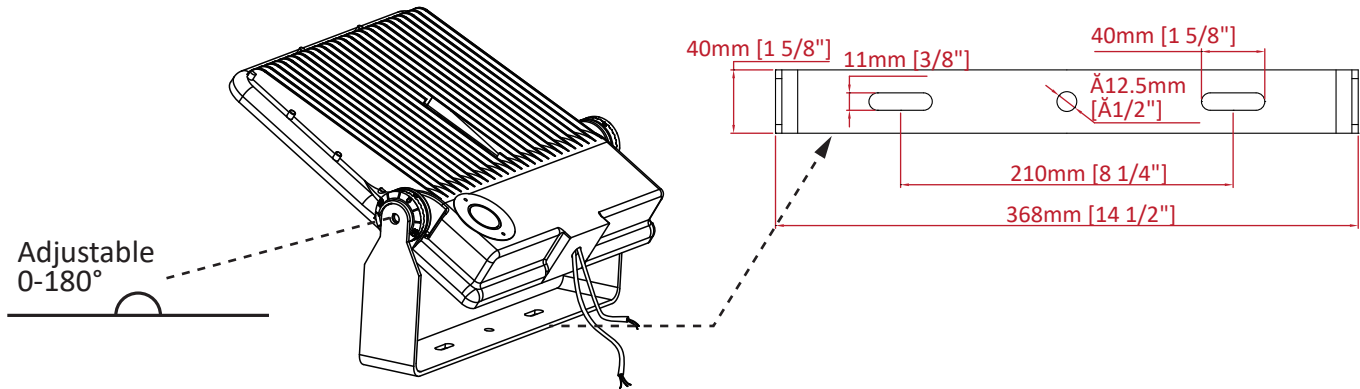
L TOK Series Installation Instructions



LI-TIAN LIGHTING

U Bracket mounting

Note: Adjustable angle is 0-180°



1. Use expansion bolts (not included) to secure the fixture on mounting surface.
2. Keep enough length on the wires to ensure fixture can be adjusted to desired angle unhindered.
3. Make wire connections. Refer to wire diagram for power connections..
4. Adjust the fixture to desired angle and tighten the screws on the side of fixture to secure.

IMPORTANT

Do not attempt to service the LED driver for reduce the risk of electric shock. The use of accessory equipment may cause an unsafe condition. Do not use this product for other than intended use. Refer any servicing indicated by these checks to a Qualified Service Personnel.

CLEANING

CAUTION: Be sure fixture temperature is cool enough to touch. Do not clean or maintain while fixture is energized.

1. Lens should be washed in a solution of warm water and any mild, non abrasive household detergent, rinsed with clean water and wiped dry. Do not use chemicals to clean fixture.
2. Do not open fixture to clean the LED. Do not touch the LED.

TROUBLESHOOTING

1. Check that the line voltage at fixture is correct. Refer to wiring directions.
2. Be sure the fixture is grounded properly.