

- Best-in-class energy efficiency
- Many output levels
- Wireless controls
- Virtually maintenance free
- Innovative retrofit options to replace out-dated fixtures
- Comfortable, safe lighting
- Smart styling complements facility
- Motion control available

Driver Info

Type:	Constant Current
Voltage:	AC120-277V AC347-480V
Input Watts:	200W
Efficiency:	96%

LED Info

Watts:	200W
Color Temp:	3000K-5700K
Color Accuracy:	>70
L70 Lifespan:	100000
Lumens:	26199
Efficacy:	137 LPW

Technical Specifications

Listings

cETL Listing:

Suitable for wet locations.

DLC Listed:

This product is on the Design Lights Consortium (DLC) Qualified Products List and is eligible for rebates from DLC Member Utilities.

IESNA LM-79 & IESNA LM-80 Testing:

Li-Tian LED luminaires have been tested by an independent laboratory in accordance with IESNA LM-79 and 80.

Electrical

Driver:

Constant Current, Class I, 277V, 50/60 Hz, 277V:0.26A

THD:

10%

Power Factor:

92.3% at 277V

Dimming Driver:

Driver includes dimming control wiring for 0-10V dimming systems. Requires separate 0-10V DC dimming circuit. Dims as low as 10%.

Surge Protection:

6KV

LED Characteristics

Lifespan:

100,000-hour LED lifespan based on IES LM-80 results and TM-21 calculations.

LEDs:

Long-life, high-efficiency surface mounting LEDs(OSRAM2835).

Color Stability:

LED color temperature is warrantied to shift no more than 200K in CCT over a 5 year period.

Color Uniformity:

Li-Tian's range of CCT (Correlated Color Temperature) follows the guidelines of the American National Standard for Specifications for the Chromaticity of Solid State Lighting (SSL) Products, ANSI C78.377-2017.

Construction

IES Classification:

Symmetric Canopy Distribution

Effective Projected Area:

EPA = 0.8

Vibration Rating:

Industry-leading 3G vibration rating per ANSI C136.31

Cold Weather Starting:

Minimum starting temperature is -40°C (-40°F)

Ambient Temperature:

SuitableFor use in 40°C (104°F) ambient temperatures.

Housing:

Precision die-cast aluminum housing.

Mounting:

Mounts to all square and round poles if optional Universal Pole Adaptor is used.

Lens:

Clear Polycarbonate lens with Shatterproof, Non-Yellowing, Self-Sealing Gasket

IP Rating:

Ingress Protection rating of IP65 for dust and water.

Gaskets:

High temperature silicone gaskets.

Finish:

Formulated for high-durability and long lasting color.

Green Technology:

Mercury and UV free. RoHS compliant components. Polyester powder coat finish formulated without the use of VOC or toxic heavy metals.

Light induction (Optional):

Extra photocell sensor available, Motion Sensor

Other

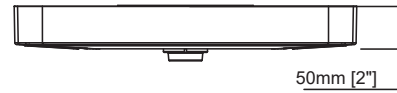
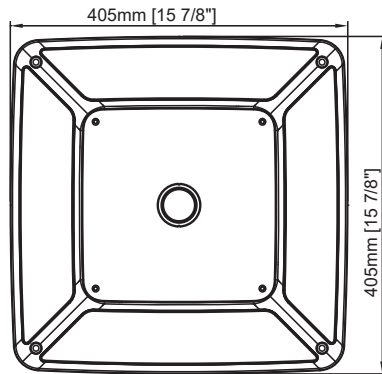
5 Yr Limited Warranty:

Fixture operation and paint finish are covered for a period of 5 years.

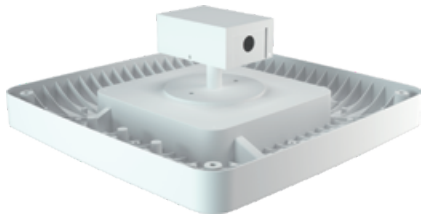
LTC-200W

Dimensions

unit:mm



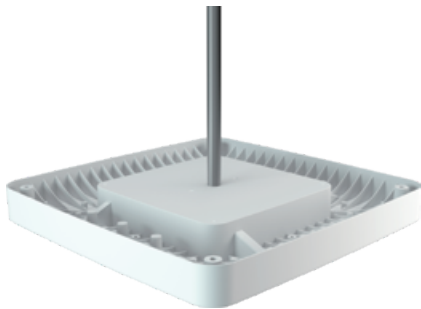
Installation



Junction Box Kit



Surface Mount



Pendant Mount



U Bracket mounting

Learn More

Tel: +86-760-23757187

Fax: +86-760-23757185

Website: www.ilitianled.com

ADD: Block B 4/F, No.2 Yihui 2nd Road Maohui Industry, Sisha, Henglan Town, Zhongshan City, Guangdong Province, China.