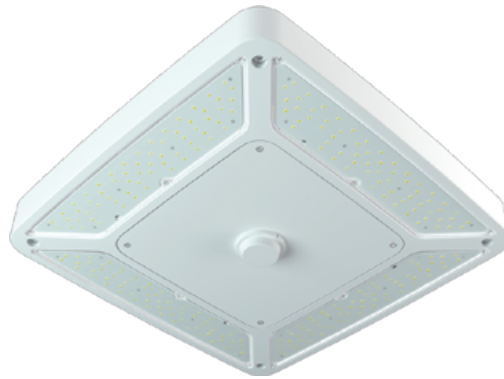


# LED Canopy Luminaire

## Installation Instructions



### IMPORTANT

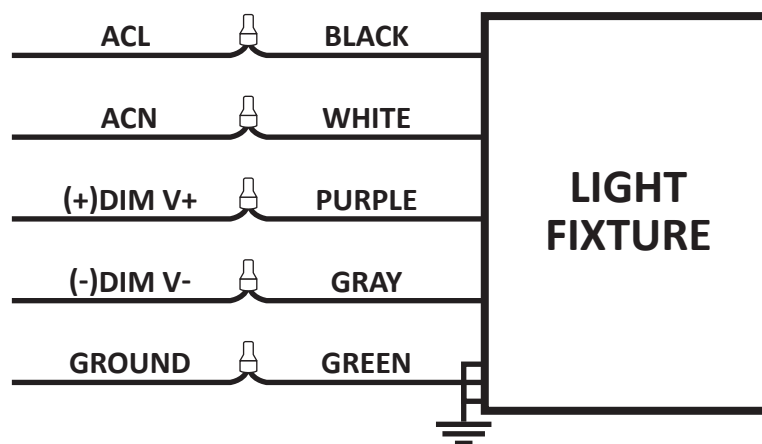
**IMPORTANT: READ INSTRUCTIONS CAREFULLY BEFORE INSTALLING.  
KEEP THESE INSTRUCTIONS FOR FUTURE REFERENCE.**

- CAUTION: DO NOT USE ELECTRIC GENERATOR TO TEST THE LED FIXTURE.
- CAUTION: TO AVOID ELECTRICAL SHOCK AND DAMAGE, PLEASE DO NOT INSTALL WHEN RAINING.
- WARNING: TO PREVENT ELECTRIC SHOCK OR RISK OF FIRE, THE INSTALLATION MUST BE COMPLETED BY OPERATOR WITH PROFESSIONAL ELECTRICAL KNOWLEDGE.
- WARNING: PLEASE WEAR GLOVES TO AVOID INJURY DURING INSTALLATION.
- WARNING: DURING OR AFTER INSTALLATION, IF THERE ARE SITUATIONS SUCH AS SMOKE OR FIRE IN THE WIRES OR FIXTURES, PLEASE TURN OFF POWER IMMEDIATELY AND CONTACT A QUALIFIED ELECTRICIAN.
- SUITABLE FOR OUTDOOR USE.
- MIN 75°C (167°F) SUPPLY CONDUCTOR.
- THIS PRODUCT MUST BE INSTALLED IN ACCORDANCE WITH THE APPLICABLE INSTALLATION CODE BY A PERSON FAMILIAR WITH THE CONSTRUCTION AND OPERATION OF THE PRODUCT AND THE HAZARDS INVOLVED.

### WIRING DIRECTIONS

#### 3 DIFFERENT DIMMING FUNCTIONS ARE AVAILABLE IN THIS LIGHT FIXTURE:

1. Constant current can be achieved by 1-10V DC dimming.
2. PWM signal dimming.
3. Variation of resistance unit dimming.



**Note:** Do not connect DIM V+ (purple)/ DIM V- (gray) to line voltage or supply ground.

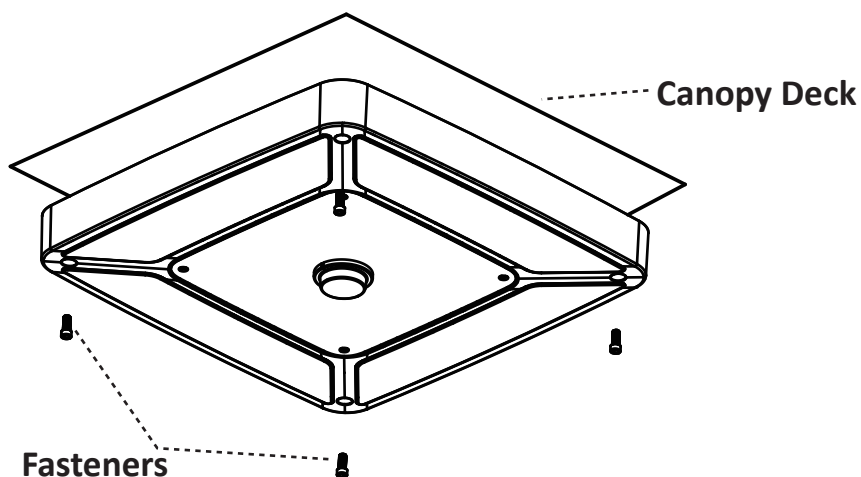
# LED Canopy Luminaire

## Installation Instructions

### INSTALLATION

#### Step 1: Below Canopy

1. Drill 4" hole in canopy deck to receive luminairehub (position of hole is center of luminaire).
2. Align fixture to 4" hole in canopy.
3. Attach luminaire to canopy deck with 4 suitable fasteners\*.



\*Fasteners provided for single deck steel canopies specifically. Suitability, strength, and installation workmanship of fasteners for any canopy/surface is the ultimate responsibility of the installing contractor. Other suitable fasteners may be required--provided by others.

#### Step 2: Above Canopy

1. Install locking collar with gasket using provided washers and bolts.
2. Assemble conduit and wiring box to luminaire.
3. Seal 1/2" conduit threads preventing water entry into wireway (sealant by others).
4. Seal fastener penetrations on top side of canopy deck preventing water from leak-ing to bottom side (sealant by others).
5. Make wiring connections in wiring box.

Junction Box Kit includes:

- Junction Box
- 1/2" X 5.9" Threaded Conduit
- 2 Conduit Nuts

Locking Collar Parts included:

- Locking Collar
- Gasket
- 2 Fasteners

