

LED Outdoor Security Light

LT-YXF-20W-MA Installation Instructions



LI-TIAN LIGHTING



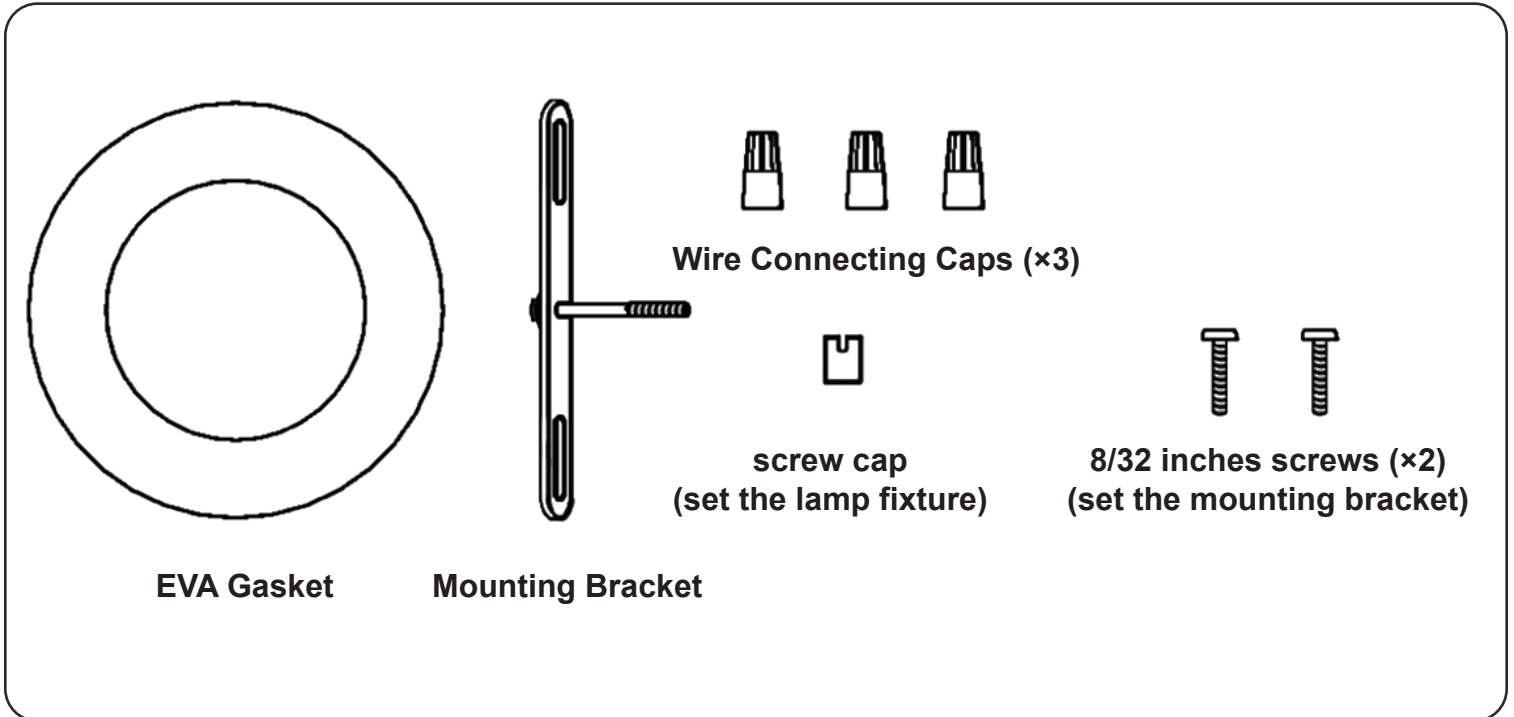
IMPORTANT

READ CAREFULLY BEFORE INSTALLING FIXTURE. RETAIN THESE INSTRUCTIONS FOR FUTURE REFERENCE.

Fixtures must be wired in accordance with the National Electrical Code and all applicable local codes. Proper grounding is required for safety. THIS PRODUCT MUST BE INSTALLED IN ACCORDANCE WITH THE APPLICABLE INSTALLATION CODE BY A PERSON FAMILIAR WITH THE CONSTRUCTION AND OPERATION OF THE PRODUCT AND THE HAZARDS INVOLVED.

WARNING: Make certain power is OFF before installing or maintaining fixture. No user serviceable parts inside.

PARTS PACKAGE



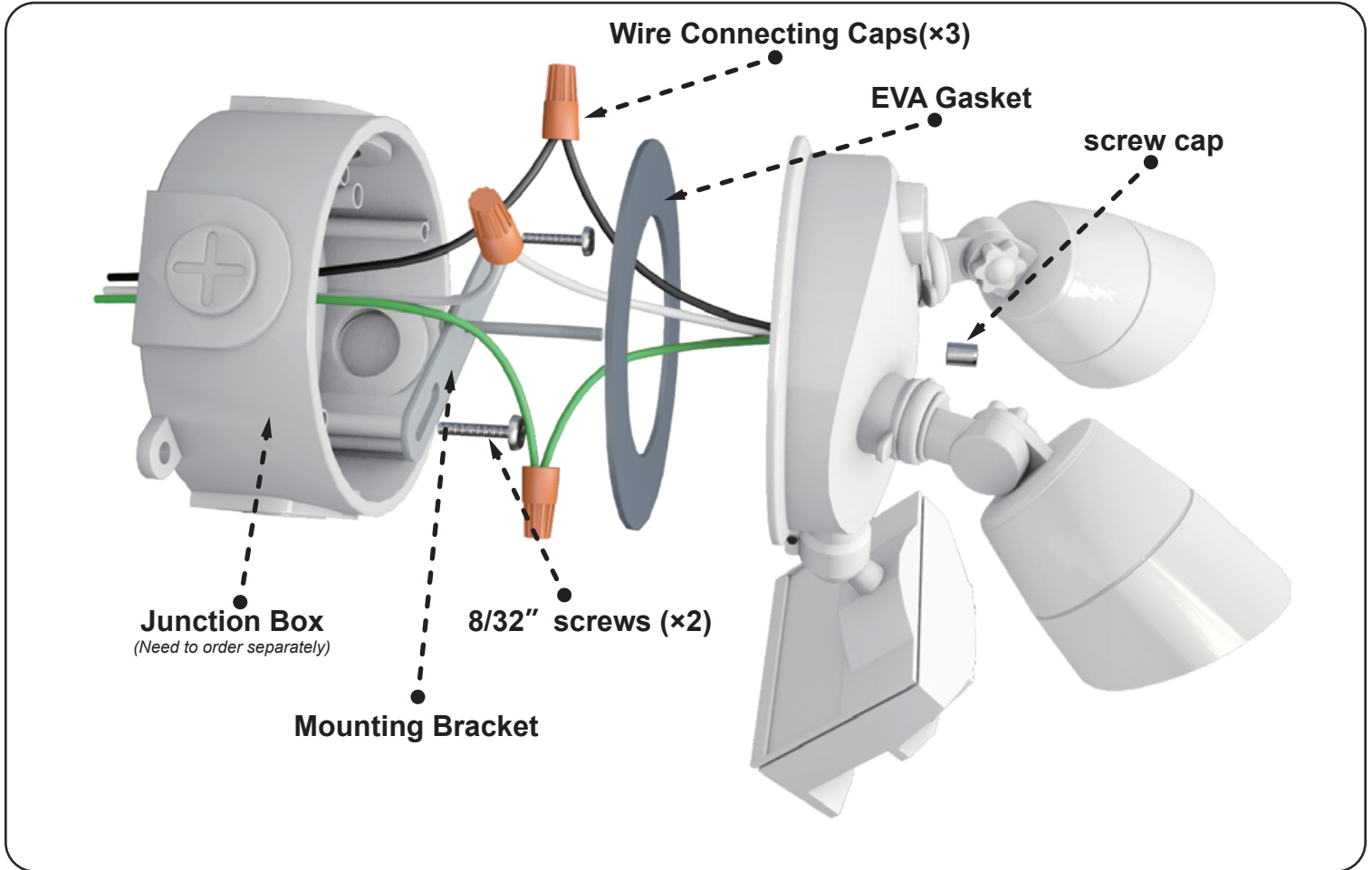
LED Outdoor Security Light

LT-YXF-20W-MA Installation Instructions



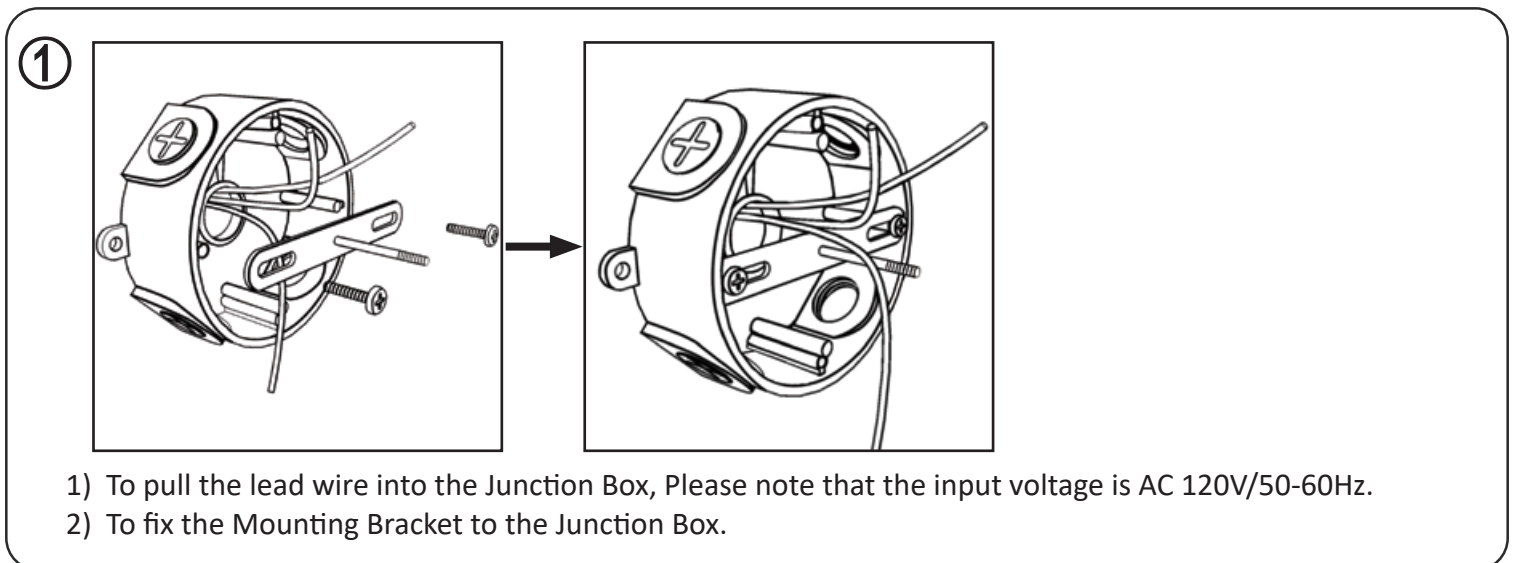
LI-TIAN LIGHTING

INSTALLATION PREVIEW



INSTALLATION STEPS

Note: Turn off the main power before installation.



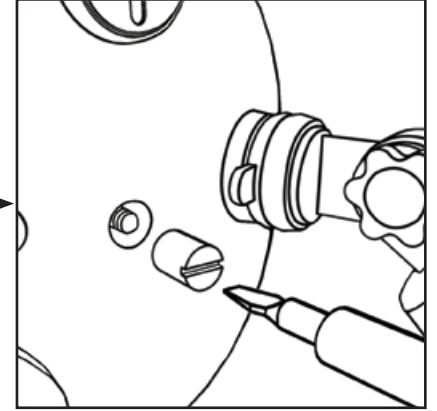
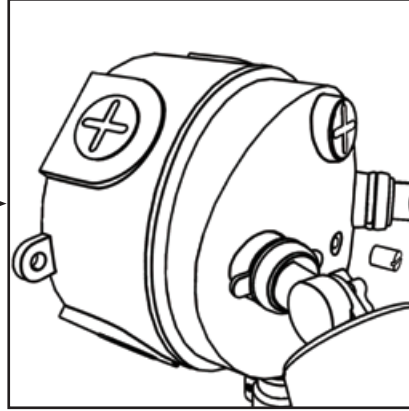
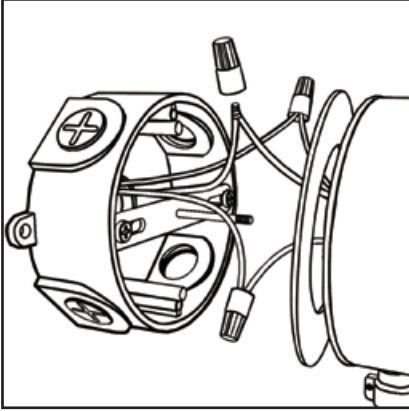
LED Outdoor Security Light

LT-YXF-20W-MA Installation Instructions



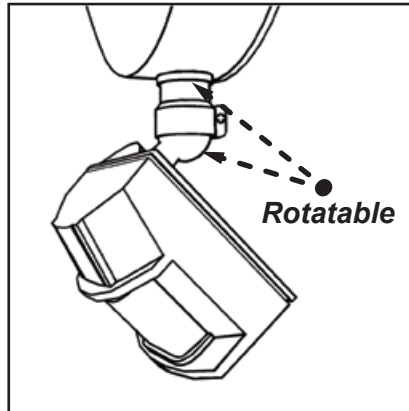
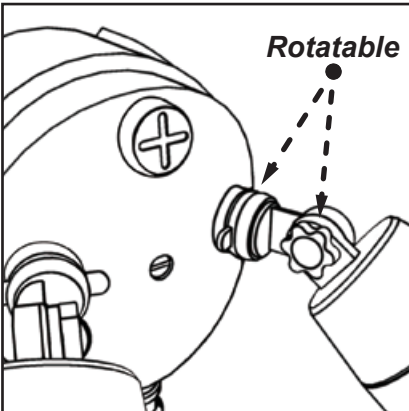
LI-TIAN LIGHTING

②



- 3) To paste the EVA Gasket onto the surface of Junction Box.
- 4) To connect three lead wires of this lamp to the lead wires of Junction Box correspondingly with 3pcs of wire Connecting Caps and notice to keep good grounding connection.
- 5) Fix the lamp fixture onto Junction Box and then tighten the screw cap with the screwdriver, and then finish the installation.

③



- 6) To adjust the sensor device and to set the head of lamp to suitable position.

Note: These instructions do not cover all details or variations in equipment nor do they provide for every possible situation during installation, operation or maintenance.

IMPORTANT

Do not attempt to service the LED driver for reduce the risk of electric shock. The use of accessory equipment may cause an unsafe condition. Do not use this product for other than intended use. Refer any servicing indicated by these checks to a Qualified Service Personnel.

CLEANING

CAUTION: Be sure fixture temperature is cool enough to touch. Do not clean or maintain while fixture is energized.

1. Lens should be washed in a solution of warm water and any mild, non abrasive household detergent, rinsed with clean water and wiped dry. Do not use chemicals to clean fixture.
2. Do not open fixture to clean the LED. Do not touch the LED.

TROUBLESHOOTING

1. Check that the line voltage at fixture is correct. Refer to wiring directions.
2. Be sure the fixture is grounded properly.