



In addition to delivering superior performance, the LED Parking Garage and Canopy Luminaire is designed for low maintenance, long life and low cost of ownership. The luminaire can be tailored to meet your most important needs without compromising on specification features. The fixture housing is IP66 rated, which provides years of reliable operation with minimal service requirements.

Driver Info

Type: Constant Current
Voltage: AC120-277V
Input Watts: 75W
Efficiency: 84%

LED Info

Watts: 75W
Color Temp: 3000-5700K
Color Accuracy: >70
L70 Lifespan: 100000
Lumens: 10573
Efficacy: 140 LPW

Technical Specifications

Listings

ETL Listing:

Suitable for damp locations with cord and hook.

IESNA LM-79 & IESNA LM-80 Testing:

Li-Tian LED luminaires have been tested by an independent laboratory in accordance with IESNA LM-79 and 80.

Electrical

Driver:

Constant Current, 800mA, Class 1 with 4 kV surge protection, 100-277VAC, 50/60 Hz.

THD:

8.2% at 120V, 11.2% at 277V

Power Factor:

99% at 120V, 91.3% at 277V

LED Characteristics

Lifespan:

100,000-hour LED lifespan based on IES LM-80 results and TM-21 calculations.

LEDs:

Multi-chip, high-output, long-life LEDs(cree3030).

Color Stability:

LED color temperature is warranted to shift no more than 200K in CCT over a 5 year period.

Color Consistency:

3-step MacAdam Ellipse binning to achieve consistent fixture-to-fixture color.

Color Uniformity:

Li-Tian's range of CCT (Correlated Color Temperature) follows the guidelines of the American National Standard for Specifications for the Chromaticity of Solid State Lighting (SSL) Products, ANSI C78.377-2017.

Construction

Cold Weather Starting:

Suitable For use in 40°C (104°F) ambient temperatures.

Cold Weather Starting:

Minimum starting temperature is -40°C (-40°F).

Thermal Management:

Superior heat sinking with external Air-Flow fins.

Housing:

Precision die-cast aluminum housing.

Mounting:

SM=Surface Mount (Standard)
JBPM=Junction Box
Plate Mount
TM=Trunnion Mount
PM=Pendant Mount
CM=Cable Mount

Lens:

Polycarbonate lens.

Reflector:

Specular vacuum metallized polycarbonate.

Gaskets:

High-temperature silicone

Finish:

Our environmentally friendly polyester powder coatings are formulated for high-durability and long-lasting color.

Green Technology:

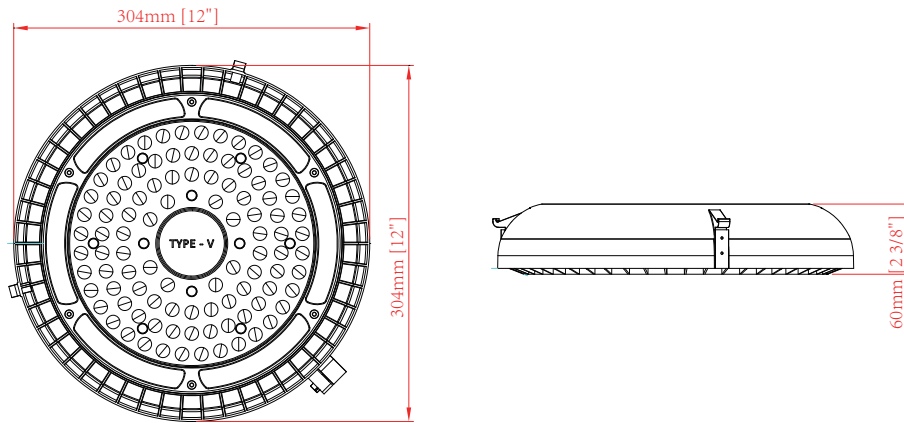
Mercury and UV free. RoHS compliant components. Polyester powder coat finish formulated without the use of VOC or toxic heavy metals.

Available finishes:

White
Black
Bronze

Dimensions

unit:mm



Lumen parameter

DATA OF LAMP		Imax (cd)	4022	S/MH (C0/180)	2.62
MODEL		EFFICIENCY (%)	100.0	S/MH (C90/270)	2.54
NOMINAL POWER (W)	76	TOTAL FLUX (lm)	10573	Voltage (V)	219.5
RATED VOLTAGE (V)	220	EFFICIENCY (lm/W)	140.7	Current (A)	0.347
NOMINAL FLUX (lm)	10573.4	η up (%)	0.0	Power (W)	75.16
LAMPS QUANTITY	1	η down (%)	100.0	Power Factor (PF)	0.984
TEST VOLTAGE (V)	219.5	Effictive Flux (lm)	10360.2	EI	0.099

Learn More

Tel: +86-760-23757187

Fax: +86-760-23757185

Website: www.ilitianled.com

ADD: Block B 4/F, No.2 Yihui 2nd Road Maohui Industry, Sisha, Henglan Town, Zhongshan City, Guangdong Province, China.