

LED Linear Strip

Installation Instructions



IMPORTANT

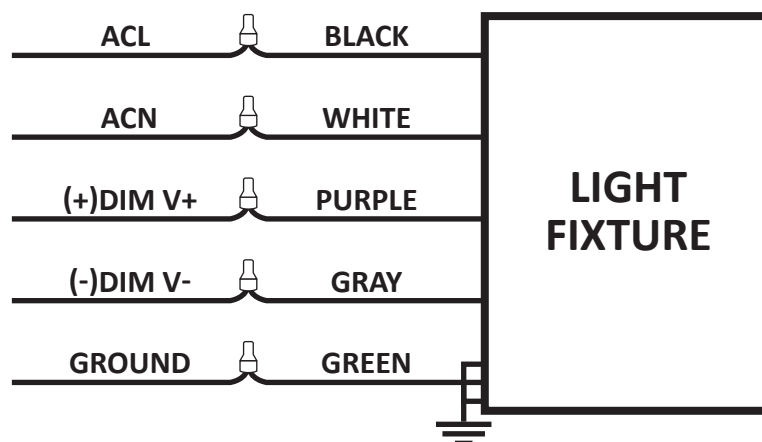
**IMPORTANT: READ INSTRUCTIONS CAREFULLY BEFORE INSTALLING.
KEEP THESE INSTRUCTIONS FOR FUTURE REFERENCE.**

- CAUTION: DO NOT USE ELECTRIC GENERATOR TO TEST THE LED FIXTURE.
- CAUTION: TO AVOID ELECTRICAL SHOCK AND DAMAGE, PLEASE DO NOT INSTALL WHEN RAINING.
- WARNING: TO PREVENT ELECTRIC SHOCK OR RISK OF FIRE, THE INSTALLATION MUST BE COMPLETED BY OPERATOR WITH PROFESSIONAL ELECTRICAL KNOWLEDGE.
- WARNING: PLEASE WEAR GLOVES TO AVOID INJURY DURING INSTALLATION.
- WARNING: DURING OR AFTER INSTALLATION, IF THERE ARE SITUATIONS SUCH AS SMOKE OR FIRE IN THE WIRES OR FIXTURES, PLEASE TURN OFF POWER IMMEDIATELY AND CONTACT A QUALIFIED ELECTRICIAN.
- SUITABLE FOR OUTDOOR USE.
- MIN 75°C (167°F) SUPPLY CONDUCTOR.
- THIS PRODUCT MUST BE INSTALLED IN ACCORDANCE WITH THE APPLICABLE INSTALLATION CODE BY A PERSON FAMILIAR WITH THE CONSTRUCTION AND OPERATION OF THE PRODUCT AND THE HAZARDS INVOLVED.

WIRING DIRECTIONS

3 DIFFERENT DIMMING FUNCTIONS ARE AVAILABLE IN THIS LIGHT FIXTURE:

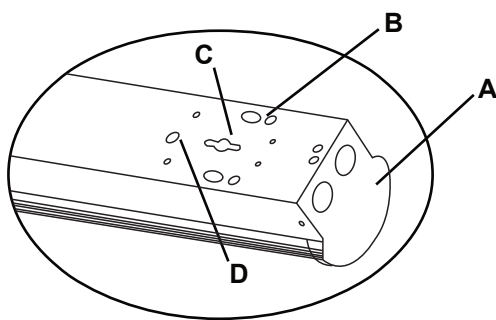
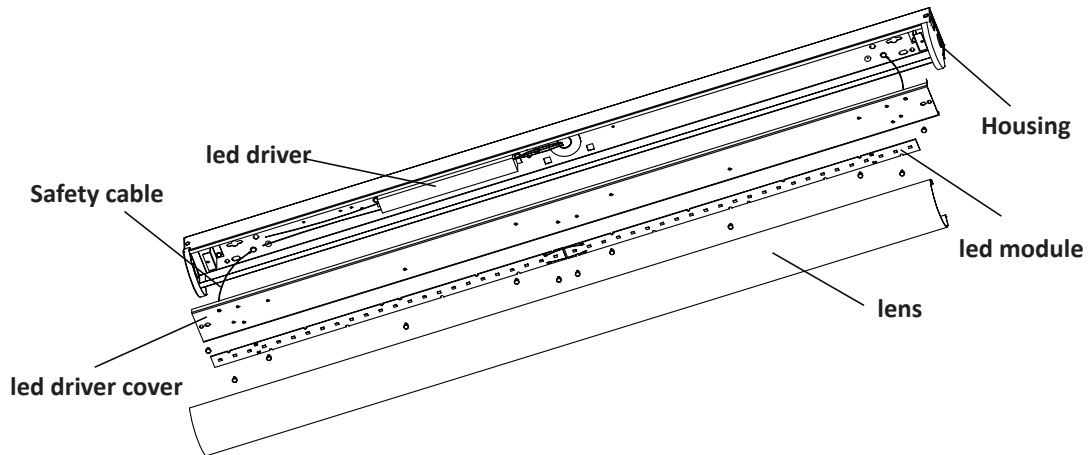
1. Constant current can be achieved by 1-10V DC dimming.
2. PWM signal dimming.
3. Variation of resistance unit dimming.



Note: Do not connect DIM V+ (purple)/ DIM V- (gray) to line voltage or supply ground.

INSTALLATION

BEFORE INSTALLATION, ENSURE THAT POWER SUPPLY IS DISCONNECTED FROM MAIN CIRCUIT BREAKER!



- A:** End Cap
- B:** Chain Mounting with V-Hook
- C:** Surface Mounting
- D:** T-Bar Clip Mounting

CHAIN MOUNTING WITH V-HOOK

Attach customer-supplied V-hooks to each end of the luminaire base. Attach customer-supplied chain to the V-hooks and mounting surface. As shown at point B.

SURFACE MOUNTING

Secure the luminaire base to mounting surface by inserting customersupplied #8 anchor screws, toggle bolts, or other suitable fasteners (depending on structural conditions) into keyhole slots on the top side of the luminaire base. As shown in at point C.

T-BAR CLIP MOUNTING

Attach customer-supplied T-bar clips to the designated opening on the luminaire. Bring luminaire into T-bar ceiling grid and secure luminaire to the grid. As show in at point D.