

# LED Linear High Bay Light

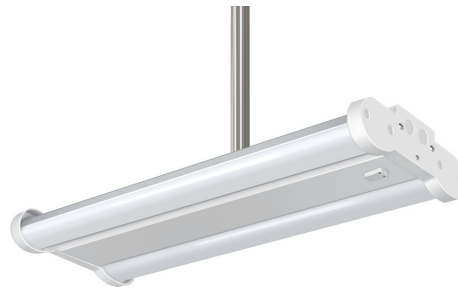
## LT-GK-006 Installation Instructions



LI-TIAN LIGHTING



Chain mounting



Pendant mounting

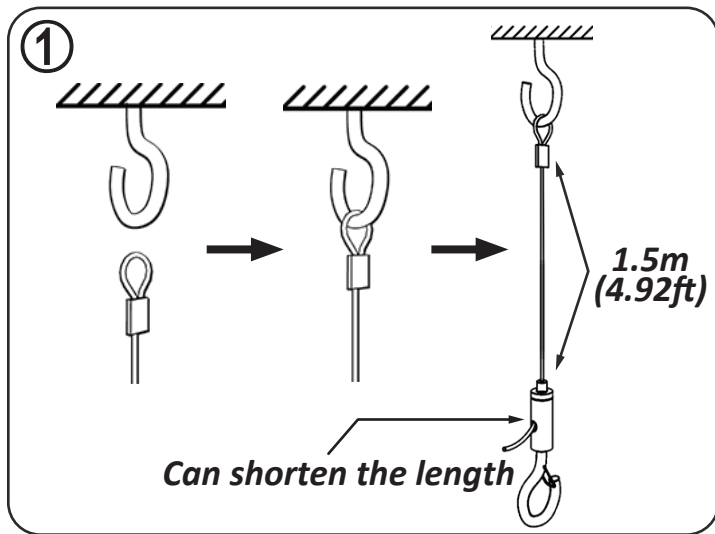
### IMPORTANT

**READ CAREFULLY BEFORE INSTALLING FIXTURE. RETAIN THESE INSTRUCTIONS FOR FUTURE REFERENCE.**

Fixtures must be wired in accordance with the National Electrical Code and all applicable local codes. Proper grounding is required for safety. THIS PRODUCT MUST BE INSTALLED IN ACCORDANCE WITH THE APPLICABLE INSTALLATION CODE BY A PERSON FAMILIAR WITH THE CONSTRUCTION AND OPERATION OF THE PRODUCT AND THE HAZARDS INVOLVED.

**WARNING: Make certain power is OFF before installing or maintaining fixture. No user serviceable parts inside.**

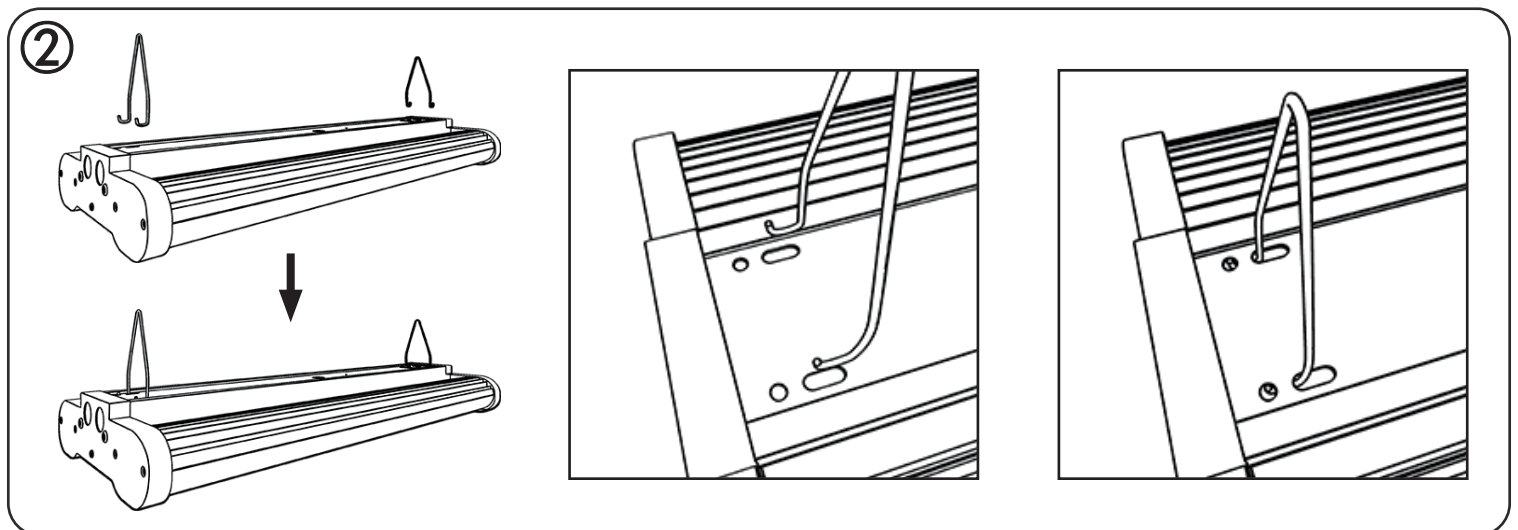
### CHAIN MOUNTING



### Installation Steps

*Note: Turn off the main power before installation.*

- ① Fix the chain tail to the ceiling and appropriately shorten the chain length.
- ② Secure V hooks through bracket hole at back of housing.
- ③ Hook the V hook of the luminaire with hooks from the chain head.

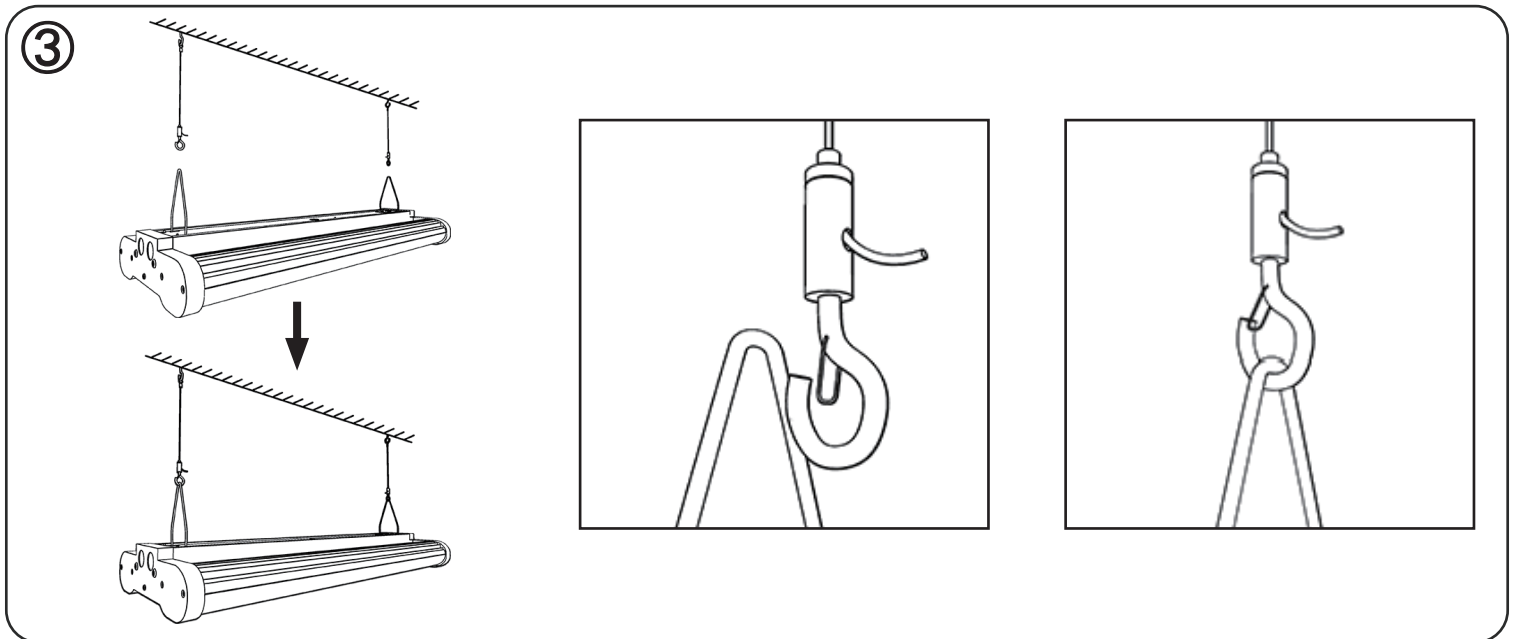


# LED Linear High Bay Light

## LT-GK-006 Installation Instructions



LI-TIAN LIGHTING

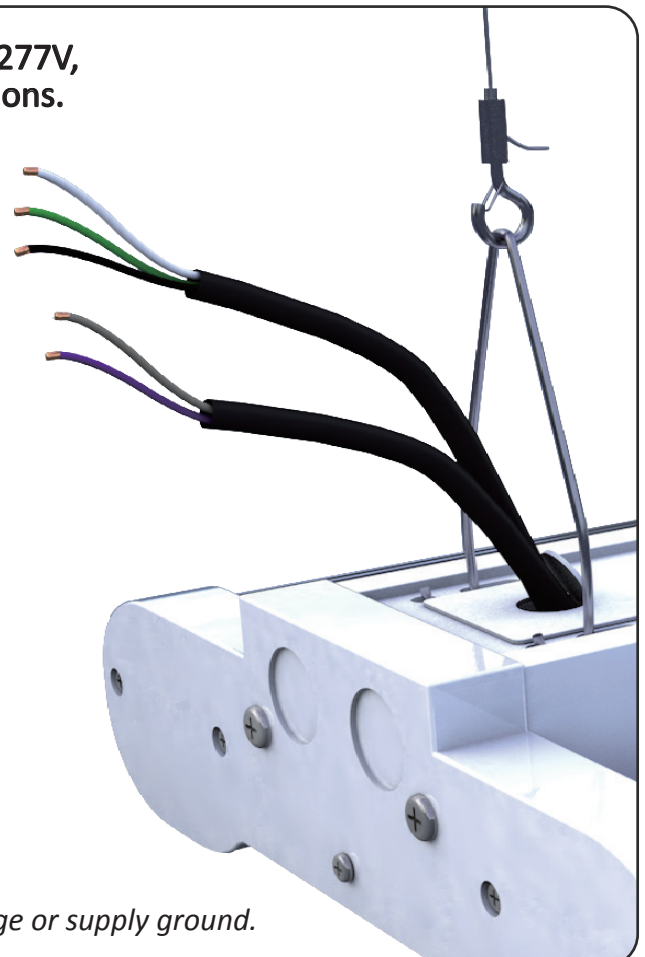
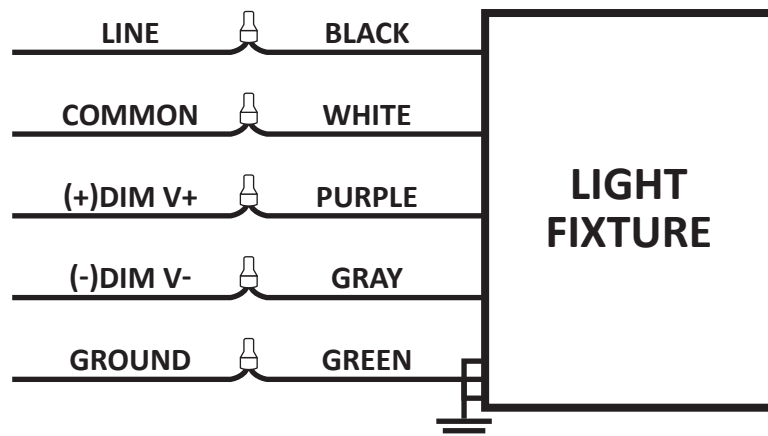


**Note:** These instructions do not cover all details or variations in equipment nor do they provide for every possible situation during installation, operation or maintenance.

## WIRING DIRECTIONS

Universal voltage driver permits operation at 120V thru 277V, 50 or 60Hz. For 1-10V Dimming, follow the wiring directions.

1. Connect the black fixture lead to the LINE supply lead.
2. Connect the white fixture lead to the COMMON supply lead.
3. Connect the GROUND wire from fixture to supply ground.
4. Connect the purple fixture lead to the (V+) DIM lead.
5. Connect the gray fixture lead to the (V-) DIM lead.



**Note:** Do not connect DIM V+ (purple)/ DIM V- (gray) to line voltage or supply ground.

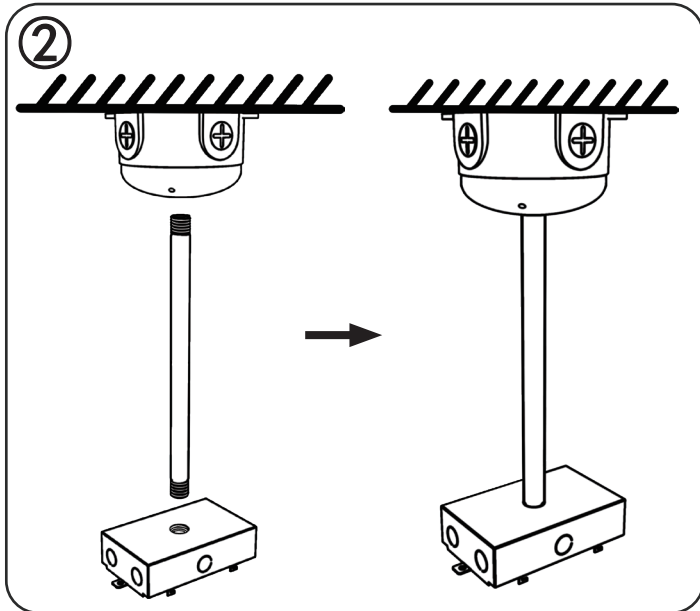
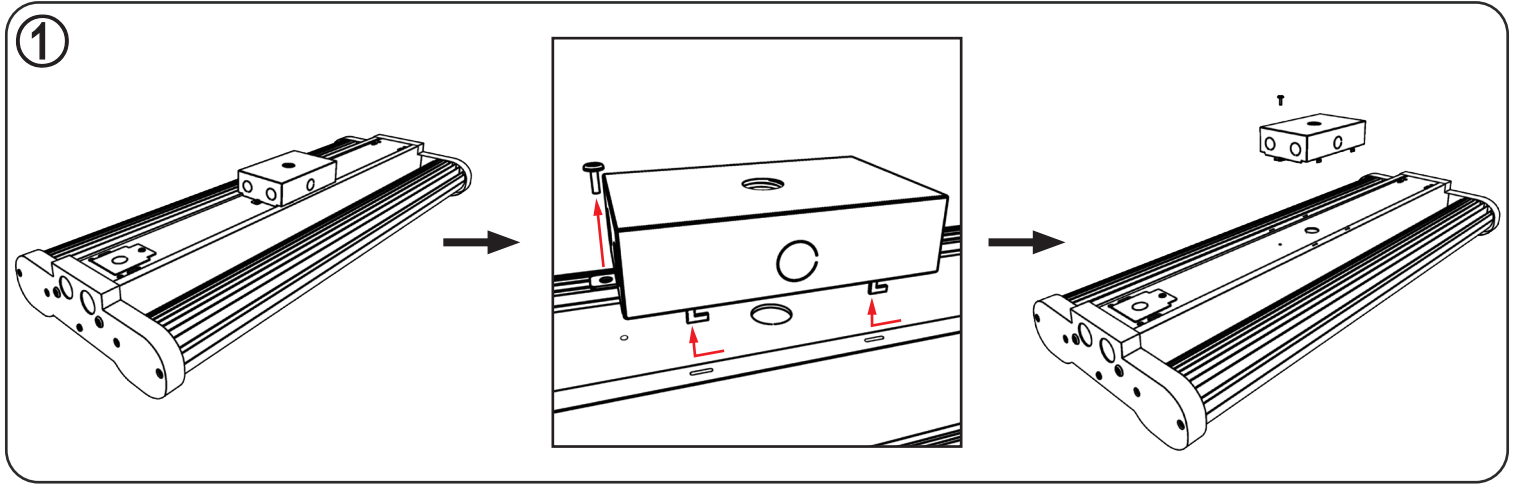
# LED Linear High Bay Light

LT-GK-006 Installation Instructions



LI-TIAN LIGHTING

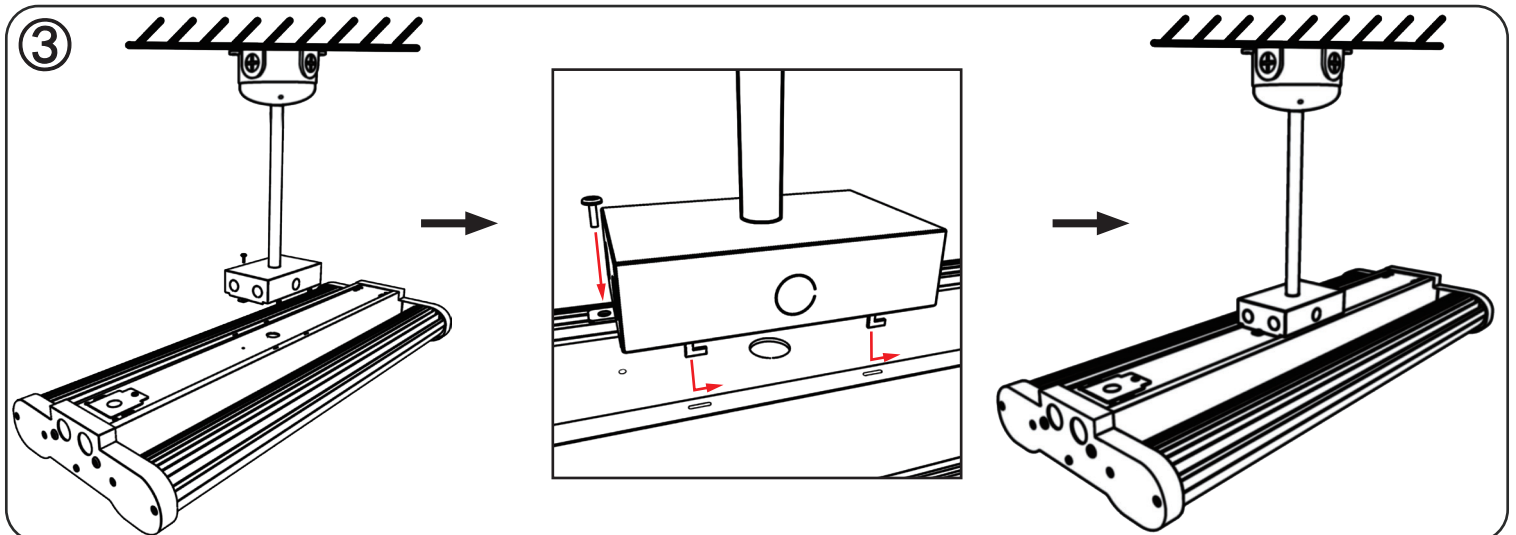
## PENDANT MOUNTING



### Installation Steps

*Note: Turn off the main power before installation.*

- ① Loosen the screw and take out the pendant box from the light fixture.
- ② Fix the pendant stem to the ceiling and secure the hole on the pendant box to the pendant stem.
- ③ Install the light fixture under the pendant box and tighten the screw.



**Note:** These instructions do not cover all details or variations in equipment nor do they provide for every possible situation during installation, operation or maintenance.

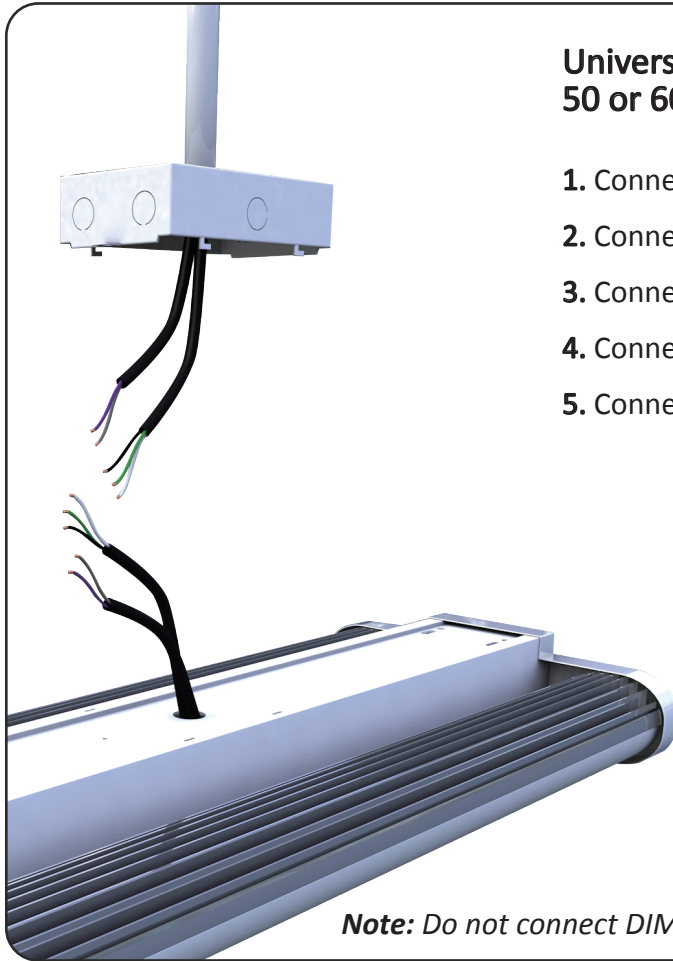
# LED Linear High Bay Light

LT-GK-006 Installation Instructions



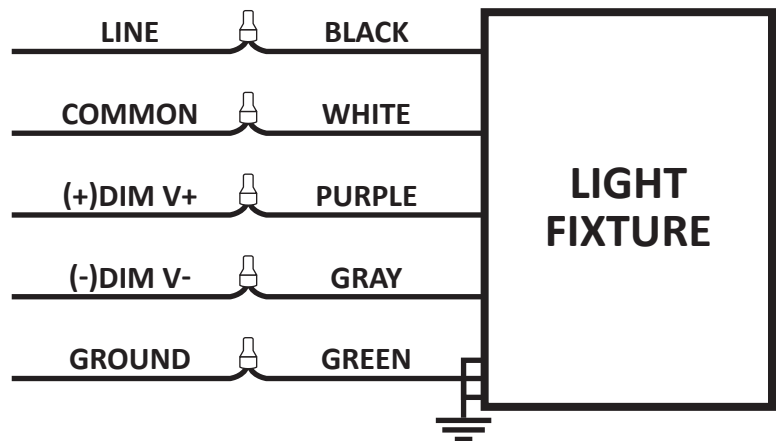
LI-TIAN LIGHTING

## WIRING DIRECTIONS



Universal voltage driver permits operation at 120V thru 277V, 50 or 60Hz. For 1-10V Dimming, follow the wiring directions.

1. Connect the black fixture lead to the LINE supply lead.
2. Connect the white fixture lead to the COMMON supply lead.
3. Connect the GROUND wire from fixture to supply ground.
4. Connect the purple fixture lead to the (V+) DIM lead.
5. Connect the gray fixture lead to the (V-) DIM lead.



**Note:** Do not connect DIM V+ (purple)/ DIM V- (gray) to line voltage or supply ground.

## IMPORTANT

Do not attempt to service the LED driver for reduce the risk of electric shock. The use of accessory equipment may cause an unsafe condition. Do not use this product for other than intended use. Refer any servicing indicated by these checks to a Qualified Service Personnel.

## CLEANING

CAUTION: Be sure fixture temperature is cool enough to touch. Do not clean or maintain while fixture is energized.

1. Lens should be washed in a solution of warm water and any mild, non abrasive household detergent, rinsed with clean water and wiped dry. Do not use chemicals to clean fixture.
2. Do not open fixture to clean the LED. Do not touch the LED.

## TROUBLESHOOTING

1. Check that the line voltage at fixture is correct. Refer to wiring directions.
2. Be sure the fixture is grounded properly.