

In addition to delivering superior performance, the LED Parking Garage and Canopy Luminaire is designed for low maintenance, long life and low cost of ownership. The luminaire can be tailored to meet your most important needs without compromising on specification features. The fixture housing is IP66 rated, which provides years of reliable operation with minimal service requirements.

## Driver Info

Type: Constant Current  
Voltage: AC120-277V  
Input Watts: 60W  
Efficiency: 84%

## LED Info

Watts: 60W  
Color Temp: 3000-5700K  
Color Accuracy: >70  
L70 Lifespan: 100000  
Lumens: 8389  
Efficacy: 142 LPW

## Technical Specifications

### Listings

#### ETL Listing:

Suitable for damp locations with cord and hook.

#### IESNA LM-79 & IESNA LM-80 Testing:

Li-Tian LED luminaires have been tested by an independent laboratory in accordance with IESNA LM-79 and 80.

### Electrical

#### Driver:

Constant Current, 800mA, Class 1 with 4 kV surge protection, 100-277VAC, 50/60 Hz.

#### THD:

8.2% at 120V, 11.2% at 277V

#### Power Factor:

99% at 120V, 91.3% at 277V

### LED Characteristics

#### Lifespan:

100,000-hour LED lifespan based on IES LM-80 results and TM-21 calculations.

#### LEDs:

Multi-chip, high-output, long-life LEDs(cree3030).

#### Color Stability:

LED color temperature is warranted to shift no more than 200K in CCT over a 5 year period.

#### Color Consistency:

3-step MacAdam Ellipse binning to achieve consistent fixture-to-fixture color.

#### Color Uniformity:

Li-Tian's range of CCT (Correlated Color Temperature) follows the guidelines of the American National Standard for Specifications for the Chromaticity of Solid State Lighting (SSL) Products, ANSI C78.377-2017.

### Construction

#### Cold Weather Starting:

Suitable For use in 40°C (104°F) ambient temperatures.

#### Cold Weather Starting:

Minimum starting temperature is -40°C (-40°F).

#### Thermal Management:

Superior heat sinking with external Air-Flow fins.

#### Housing:

Precision die-cast aluminum housing.

#### Mounting:

SM=Surface Mount (Standard)  
JBPM=Junction Box  
Plate Mount  
TM=Trunnion Mount  
PM=Pendant Mount  
CM=Cable Mount

#### Lens:

Polycarbonate lens.

#### Reflector:

Specular vacuum metallized polycarbonate.

#### Gaskets:

High-temperature silicone

#### Finish:

Our environmentally friendly polyester powder coatings are formulated for high-durability and long-lasting color.

#### Green Technology:

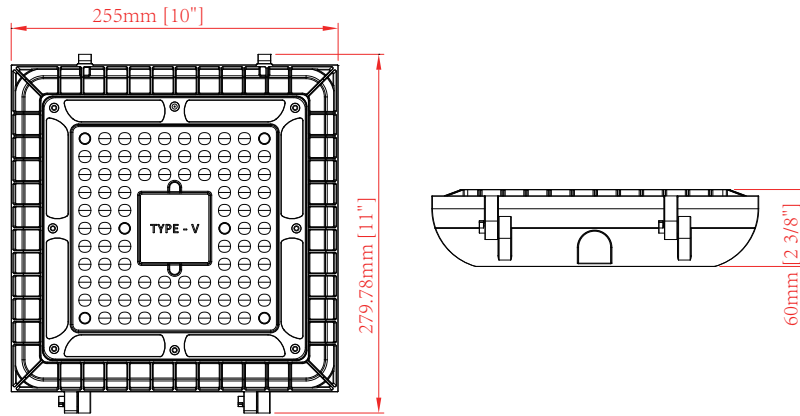
Mercury and UV free. RoHS compliant components. Polyester powder coat finish formulated without the use of VOC or toxic heavy metals.

#### Available finishes:

White   
Black   
Bronze

## Dimensions

unit:mm



## Lumen parameter

|                   |        |                     |        |                   |       |
|-------------------|--------|---------------------|--------|-------------------|-------|
| DATA OF LAMP      |        | Imax (cd)           | 3123   | S/MH(C0/180)      | 2.58  |
| MODEL             |        | EFFICIENCY (%)      | 100.0  | S/MH(C90/270)     | 2.52  |
| NOMINAL POWER (W) | 60     | TOTAL FLUX (lm)     | 8389.7 | Voltage (V)       | 219.6 |
| RATED VOLTAGE (V) | 220    | EFFICIENCY (lm/W)   | 142.0  | Current (A)       | 0.277 |
| NOMINAL FLUX (lm) | 8389.8 | $\eta$ up (%)       | 0.0    | Power (W)         | 59.08 |
| LAMPS QUANTITY    | 1      | $\eta$ down (%)     | 100.0  | Power Factor (PF) | 0.969 |
| TEST VOLTAGE (V)  | 219.6  | Effective Flux (lm) | 8211.8 | EEL               | 0.098 |

## Learn More

Tel: +86-760-23757187

Fax: +86-760-23757185

Website: [www.ilitianled.com](http://www.ilitianled.com)

ADD: Block B 4/F, No.2 Yihui 2nd Road Maohui Industry, Sisha, Henglan Town, Zhongshan City, Guangdong Province, China.