

Rugged cast-aluminum, corrosion-resistant housing with polyester powder paint for lasting durability. LED lamp heads features corrosion resistant thermo plastic housing are thermally isolated from the driver that is located in the rear housing, promoting a long service life. Lenses are sealed to keep out moisture, dirt and bugs. LEDs maintain 70% of light output at 50,000 hours of service life.



Driver Info

Type:	Constant Current
Voltage:	120V
Input Watts:	20W
Efficiency:	87%

LED Info

Watts:	20W
Color Temp:	2700-6500K
Color Accuracy:	>70
L70 Lifespan:	100000
Lumens:	2205
Efficacy:	110.2 lm/W



Weight: 1.41 lbs (0.64 KG)

Technical Specifications

Listings

ETL, cETL Listing:

Suitable for wet locations. Suitable for mounting within 1.2m (4ft) of the ground.

LM-80 Testing:

LED luminaires and LED components have been tested by an independent laboratory in accordance with IESNA LM-79 and LM-80.

Electrical

Driver:

Constant Current, Non Isolated, 120V, 50/60 Hz, 4KV surge protection

THD:

9.9% at 120V

Power Factor:

90.3% at 120V

LED Characteristics

LED:

High performance OSRAM LEDs

Lifespan:

50,000-hour LED lifespan based on IES LM-80 results and TM-21 calculations

Color Consistency:

7-step MacAdam Ellipse binning to achieve consistent fixture-to-fixture color

Color Stability:

LED color temperature is warranted to shift no more than 200K in CCT over a 5 year period

Color Uniformity:

Li-tian's range of CCT (Correlated Color Temperature) follows the guidelines for the American National Standard for Specifications for the Chromaticity of Solid State Lighting (SSL) Products.

Construction

Cold Weather Starting:

Minimum starting temperature is -40°C (-40°F)

Maximum Ambient Temperature:

Suitable for use in 40°C (104°F)

Lamp Heads:

polycarbonate molded lamp heads

Back Housing:

Precision die-cast aluminum back housing

Lens:

Polycarbonate molded lens

Reflector:

Specular thermoplastic reflector

Gaskets:

High-temperature silicone

Finish:

Formulated for high-durability and long lasting color

Green Technology:

Mercury and UV-free. RoHS compliant components.

MOUNTING

Wall Mount:

Wall Mount directly over a standard junction box or direct-to-wall.

Options

Lighting Control

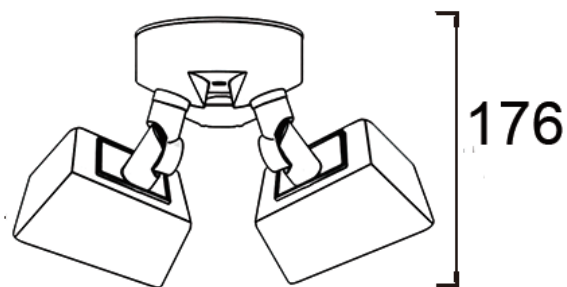
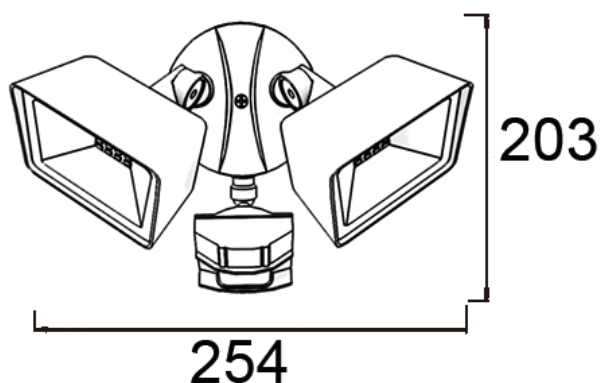
Motion Sensor standard, swivel photocell and floodlight optional

Finish Color

White finish standard, black or bronze optional

Dimensions

unit:mm



Options

Motion Sensor

Technical Parameters

Input Voltage: AC110-130V

Power Frequency: 50/60Hz

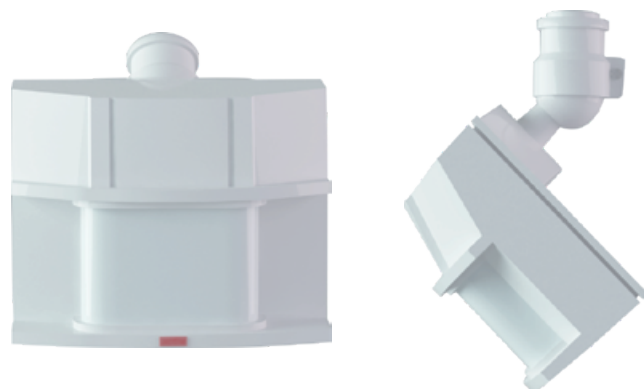
Detection Range: 180°

Detection Distance: MAX 60ft (adjustable)

Time Setting: After detecting motion, stay on for 5sec, 1min, 5min, or 10min

Detection Motion Speed:0.6-1.5m/s

Installation Height: 0~15 ft



Feature

Photocell

The light automatically turns on/off according to outside light levels (dusk to dawn)

Distance Setting

Adjusts the detection distance Max: 60ft when installed at 8ft

TIME

After detecting motion, light stays on for 5, 10, 30, or 60 seconds.

Learn More

Tel: +86-760-23757187

Fax: +86-760-23757185

Website: www.litianled.com

ADD: Block B 4/F, No.2 Yihui 2nd Road Maohui Industry, Sisha, Henglan Town, Zhongshan City, Guangdong Province, China.