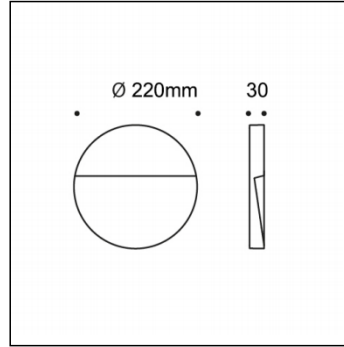


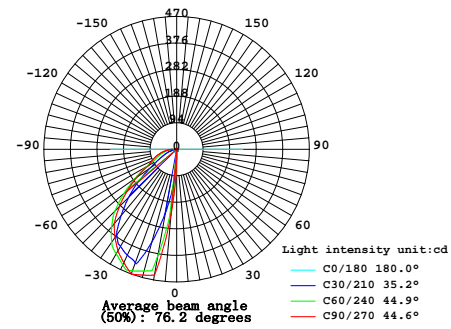
# STEP LIGHT



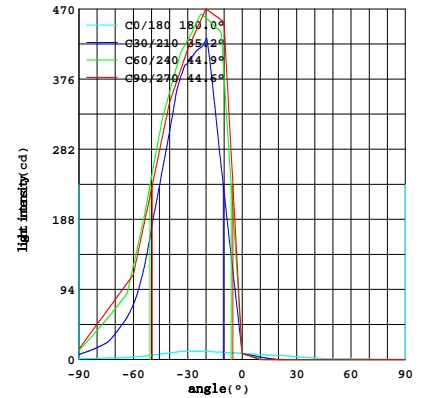
LI-TIAN LIGHTING



Polar Coordinate Light Distribution Curve



Cartesian coordinate light distribution curve



## LT-TJ-Y527

Module LED 4000K 464lm 6W 220-240Vac Step light

### Light Source Technical Data

Light source type:	LED
Colour temperature:	3000/4000/5000K
Rated module luminous flux:	464lm
Rated input power:	6W
Luminaire efficacy:	76lm/W
Color Rendering Index:	CRI 80
Material:	Die-cast aluminum
Standard Deviation Color Matching:	MacAdam step 3
Surface treatment:	polyester powder coating
RAL:	graphite grey
Installation method:	Surface Mount/Wall

### Power Supply Technical Data

Voltage (AC):	220-240Vac
Frequency (AC):	50/60Hz
Max. quantity of fixtures for Minature Circuit Breaker type B16A:	50
Max. quantity of fixtures for Minature Circuit Breaker type C16A:	85

### Temperature and life time Technical Data

LED Lifetime:	L80 B10 70.000h Ta 25°C L80 B10 50.000h Ta 40°C
Lifespan of the LUMINAIRE:	min. 50.000h Ta 40°C
Performance ambient temperature:	Tq 25°C
Operating ambient temperature range:	da -20°C a +50°C
Storage temperature range:	da -20°C a +60°C

### Technical Installation Data

Electrical insulation class:	I
Protection class IP:	IP65
Mechanical resistance:	IK07
Weight:	1Kg

