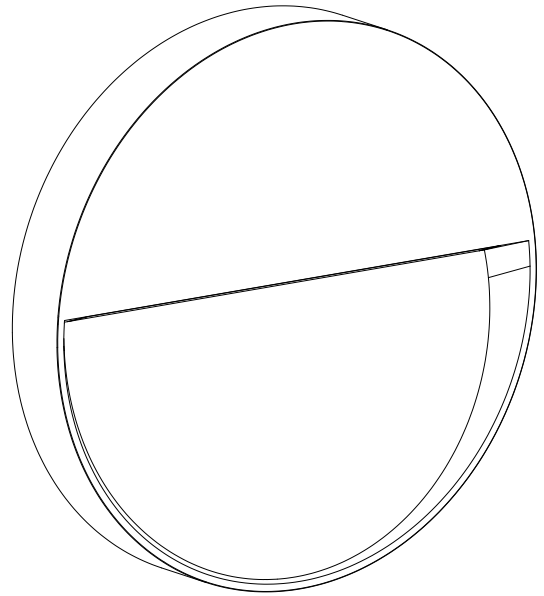
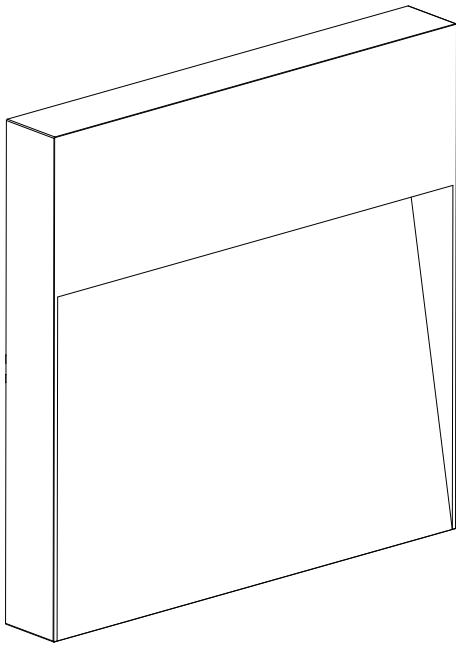




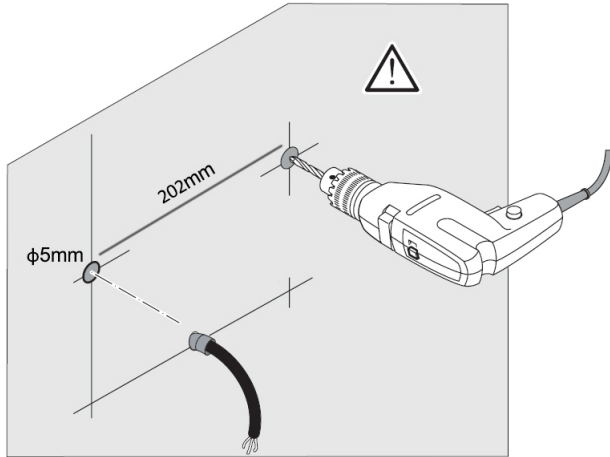
LI-TIAN LIGHTING

INSTALLATION

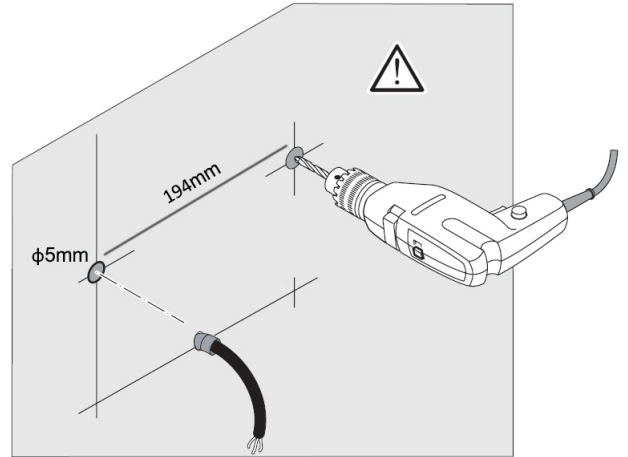
LT-TJF/Y527



First step

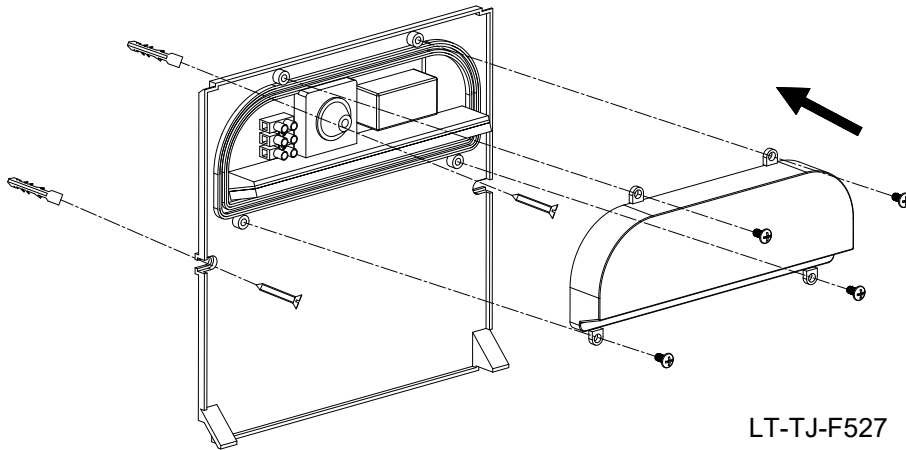


LT-TJ-F527

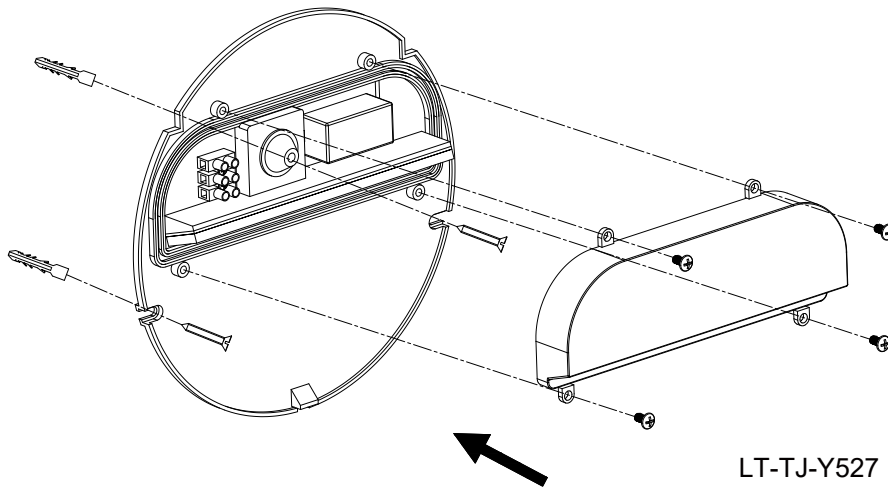


LT-TJ-Y527

Second step

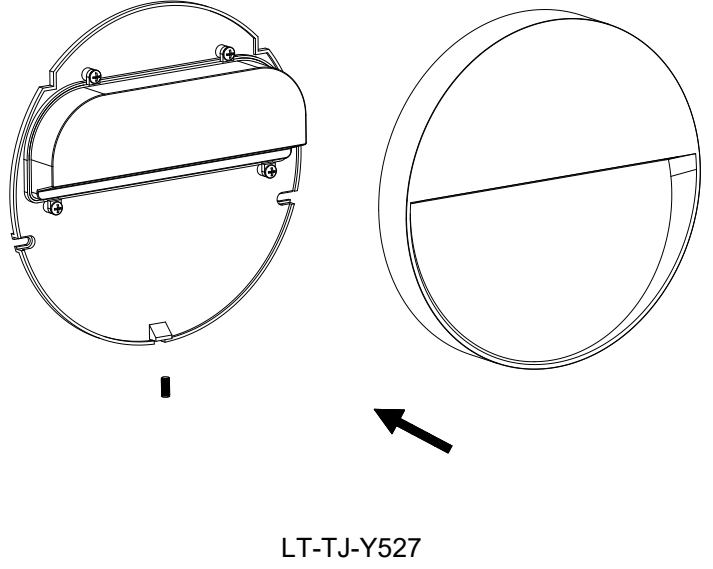
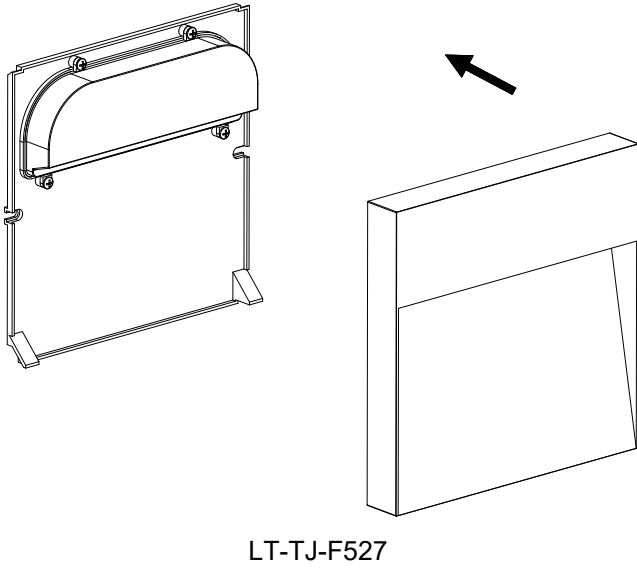


LT-TJ-F527

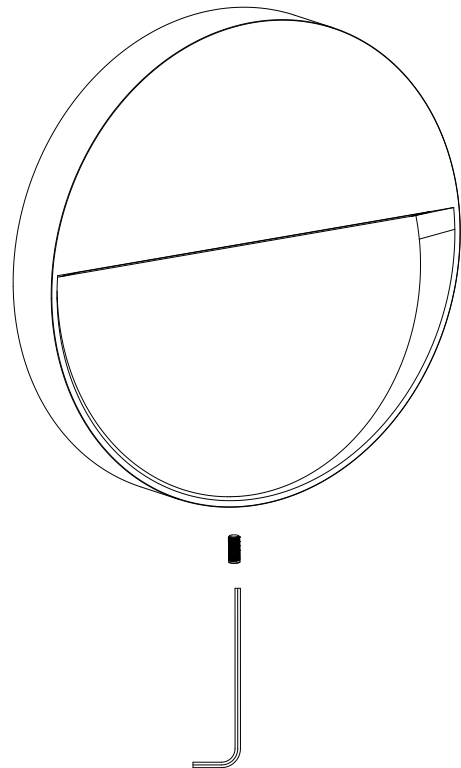
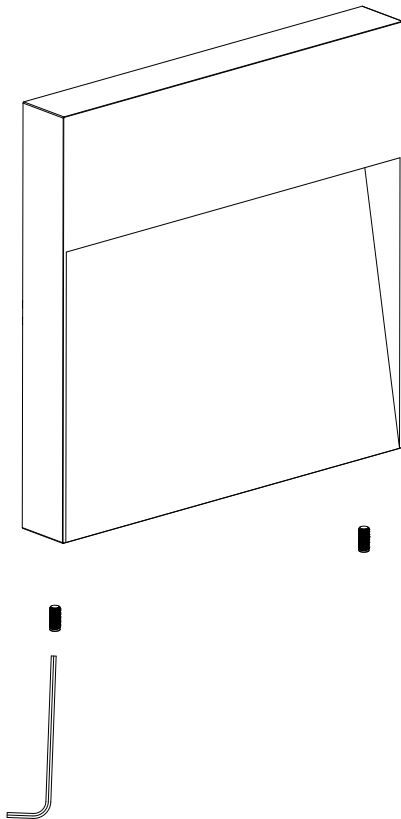


LT-TJ-Y527

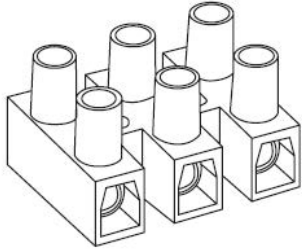
Third step:



The fourth step:



wiring:



Ⓛ ↔ L BROWN LINE

Ⓝ ↔ N BLUE LINE

Ⓢ ↔ S YELLOW LINE